

SHARP

Drum-type electric washer/dryer

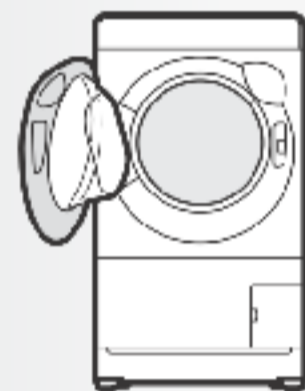
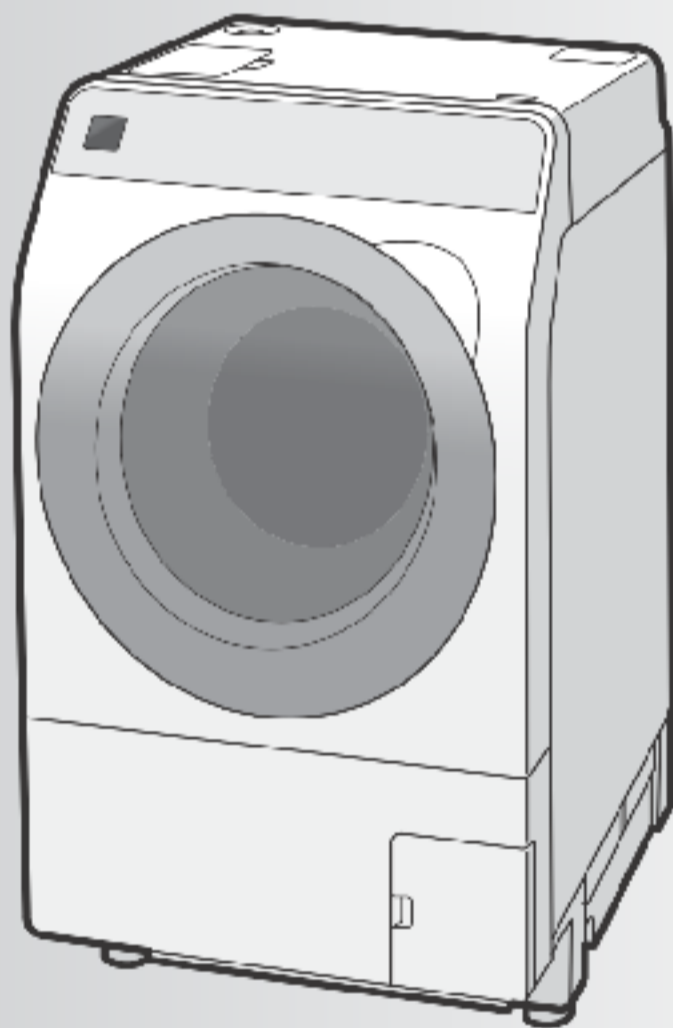
household use

operating instructions

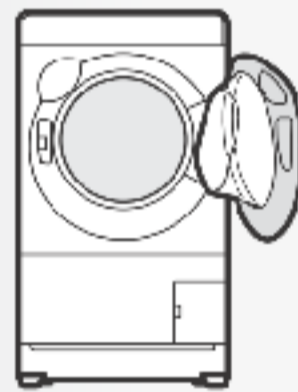
Installation instructions included

Model name

ES-K10B



(Door opens left)



(Door opens to the right)

Thank you very much for your purchase.

● Please read this instruction manual carefully and use the product correctly.

Please read the "Safety Precautions" before use. This instruction manual (including

● installation instructions) is included with the warranty and installation leaflet.

Be sure to store it in a place where you can see it at any time.

Please.

● When installing, please check "How to Install."

● Please pack it for transportation in case of re-installation after moving or cleaning the pipes.

Be sure to keep it together with the fixing screws, the wrench for removing

the fixing screws for transportation, a spirit level, and any unused parts.



Please register your product

- You can manage all your home appliances online. ● You can easily access support information such as consumables for registered products!
- You can receive "exciting points" that allow you to win our products and more in a lottery! ● In addition to automated answers, members can also chat with an operator!

<https://cocoromembers.jp.sharp/m/>



The Plasmacluster logo and Plasmacluster are

It is a registered trademark of Sharp Corporation.

Table of contents

page

Safety precautions	2
Name of each part (Thursday rest/accessories)	4
Course Introduction (Eco Driving)	5
How to view the operation panel	6
Before use (check laundry/child lock)	8
How to use detergents (Amount of detergent to use/How to glue, etc.)	11
Washing/drying process	14

Introduction

Washing/Washing-Drying (Standard/Home Style/Indoor Drying Course)	16
· Change driving details	17
Drying (Standard/Homemade Course)	18
Register your own course (homemade course)	19
For small amounts of lightly soiled clothing (time-saving course)	20
For hard-to-remove dirt such as mud and yellowing (Extreme Wash Course)	21
For pre-washing troublesome stains (quick pre-wash cycle)	22
Set individual settings such as "Dehydrate only" (Select the time and number of times for "washing", "rinsing", "spinning" and "drying" to operate)	22
Make a reservation	23
Washing delicate clothes (Home cleaning course)	24
For large items such as blankets and carpet covers (Blanket Course)	26
Disinfect and deodorize clothes with Plasmacluster (Disinfect and deodorize course)	28

How to use

Change settings (Automatically clean the washing tub/turn off the end sound/standby during spin Adjust finish/Adjust drying finish/Initialize, etc.)	30
ohMaintenance (main unit/filters, etc.)	33
the drum (tank clean course/tank cleaning course)	36
How to install (Dimensions/Pre-check/Fixing screws for transportation/Drain hose/ horizontal installation/water supply hose/trial run, etc.)	38
Warranty and after-sales service (When requesting repairs/Customer consultation service information)	46
What if this happens?	47
Course details	52
Error display/notification display (When E··/U··/C· etc. is displayed)	54
specification	55
Sold separately	back cover

when needed

Safety precautions

It explains the precautions you should take to prevent injury to people and damage to property.

The problems that may occur due to incorrect use are categorized and explained as follows:

injury." "WARNING: Risk of death or serious injury."

▲ Caution: Minor injury or property damage may occur.

The following symbols explain the types of precautions you should take.



What not to do.



What you have to do.



caveat

To prevent accidents and injuries caused by electric shock, electric leakage, fire, etc.

Power supply, power plug and cord



- Do not use damaged items
- Do not bundle or bend forcibly
- Do not damage or modify the surface.
- Do not place heavy objects on the product or pinch it.
- Do not pull or twist
- Do not pull out the cord by holding it.
- Do not insert or remove the power cord with wet hands. Do not use the power cord if the plug is loose. (This may cause electric shock, short circuit, or fire. If the power cord is damaged, consult the store where you purchased the power cord for repairs.)



- Use a single outlet with a 100V AC and a rating of 15A or more (using an outlet with a different power source or rating, or using it in conjunction with other devices, may cause the branch outlet to overheat and result in a fire).
- If there is dust on the power plug blades or the blade mounting surface, wipe it off thoroughly (this may cause a fire).

The following types of clothing should never be dried (even after washing) (This can cause spontaneous combustion or ignition due to the heat generated by the oxidation of oil):



- Clothes with oil or solvents on them: Cooking oil, animal and vegetable oils, machine oil, kerosene, gasoline, ointment, benzene, paint thinner, alcohol, dry cleaning oil, beauty oil (Body oil, beauty oil), etc. - Products made with urethane foam (sponges), polypropylene fiber, resin (cellulose-based), craft glue, etc.

In case of abnormality or failure



- Immediately stop using the product, unplug the power cord, and ask the store where you purchased the product to inspect and repair it (This may cause fire due to electric shock, leakage of electricity, or short circuit).
- If the door does not lock, immediately unplug the power cord from the outlet and ask for repairs (This may cause injury).

To prevent accidents involving children



- Do not allow children to touch it
- Do not place a stand nearby (This may result in getting trapped inside the drum or causing burns or other injuries.)
- For instructions on how to set the child lock, see page 10. Do not allow unfamiliar users to use the device alone.



- Keep the included spirit level out of reach of children. (cause of choking if swallowed accidentally)

When cleaning



- Do not pour water directly onto any part of the unit (this may cause a short circuit or electric shock).



unplug

- Always unplug the power plug from the outlet (this may cause electric shock or injury)

Installation is



- Being exposed to humid places such as bathrooms or to wind and rain
- Do not leave it in a place. (Cause of electric shock or fire due to electrical leakage)



- Make sure to attach the earth properly (this may cause electric shock in the event of a breakdown or electrical leakage)
- For earthing work, please consult your dealer or the nearest electrical earth wire connection installation shop.

others



- Do not put flammable materials such as gasoline, kerosene, benzene, paint thinner, or alcohol into the drum or place laundry that has these materials near the drum (this may cause a fire or explosion).
- Never bring fire near plastic parts (to prevent fire and deformation)
- Do not open or close the door with your hands near the door mounting bracket (hinge section) (page 4) (this may result in injury to your hands or fingers being caught between the door and the main body).
- Do not modify the product. Also, do not allow anyone other than a repair technician to disassemble or repair the product (this may cause fire, electric shock, or injury).
- For inspection or repair, please consult the store where you purchased the product.

Please be sure to follow



Caution

To prevent electrical leakage and injury and to protect your belongings

Items that cannot be washed, dehydrated, or dried



Waterproof clothing and sheets

- Raincoats • Sauna suits • Windbreakers • Down jackets • Ski wear • Hair and beauty cloths • Bicycle and car covers • Diaper covers • Sleeping bags • Waterproof sheets • Waterproof aprons, etc.



(If the water does not drain, abnormal vibrations will occur during spin-drying, causing the unit to tip over and break, resulting in injury, damage to clothing, floors, walls, etc., and water leakage.)

Carpets, waterproof carpet covers and mats (those with rubber on the back)

Do not use a blanket washing net (this can cause abnormal vibrations during spin-drying, resulting in damage to surrounding walls and injury).

Please check the care label on your clothing

The power plug is



- When unplugging the power plug, always hold the end of the power plug and not the power cord (this may cause electric shock, short circuit or fire). Unplug the power plug. •

If you will not be using the product for a long period of time, always unplug the power cord from the outlet (This may cause electric shock, leakage, or fire due to deterioration of the insulation.)

Be careful of temperature



When using hot water, do not use water above 50°C (this may cause deformation or damage to plastic parts, resulting in electric shock, leakage, or breakdown).



Remove clothing after drying is complete (The drum, clothes and door become very hot during drying and may cause burns. Be careful when removing clothes immediately after drying.)

Be careful of water leaks



- Always make sure to install the lint filter securely (this can cause water leakage and flood the floor). Before washing, always open the water tap and check the hose connection (if the connection to the main unit becomes loose or the hose lock lever is not securely fastened, water may leak and cause unexpected damage such as flooding).
- After operation, be sure to close the water tap (to prevent water leakage).

doors and locks



- Do not force open a locked door (this may damage the door or lock mechanism and cause unexpected injury). When closing the door, do not pinch clothing or other items (this may cause water leakage or other malfunctions).
- Do not hang from the door or apply excessive force to it (this may cause the unit to break down or leak).

others



- Do not climb on the unit or place fragile objects on it. (Deformation or breakage may result in injury, or objects placed on the unit may fall and be damaged due to vibrations during operation.) • Do not place hands or feet under the unit while it is in operation. (The unit contains electrical components and rotating parts, which may result in injury or electric shock.) In particular, if you use a stand, the gap between the floor and the unit will become larger. Please be careful. Do not use the unit for any other purpose. (Do not use the washer/dryer to wash, spin, or dry items other than those intended for its intended use. This may cause abnormal vibrations, resulting in damage to the unit or injury.) • Do not remove the drying filter while the machine is in operation (this may cause injury or damage to the machine).

Other notes

- Install the lint filter and dryer filter securely. • Remove any items from your pockets.
- Do not damage the door gasket when loading or unloading laundry.
- During and after the drying operation, the drum, clothes, door, etc. become very hot. Please note that there may be

- Keep the water tap open during drying. Do not use hot water.
- Do not shake the drum. • If detergent gets on the main unit or door, wipe it off immediately.
- Remove lint and hair from the door gasket and glass surface. remove

Loving inspection: If you plan to use the product for a long period of time, please inspect it!



Do you have any of these symptoms?

- Sometimes I don't drive.
- Doors do not lock during operation. • Water leaks. (Hose, water tank, faucet connector, etc.)
- It smells burnt.
- There is an abnormal noise or vibration while driving.
- When you touch it, you feel a tingling sensation.
- The power cord and plug are abnormally hot.

To prevent accidents, stop using the product and unplug it from the power outlet. Please remove the battery from the power outlet and have your dealer inspect it. Please consult with your dealer regarding the costs of inspection and repair.

Even if you do not have the symptoms listed on the left, please contact us within 5 years after purchase.

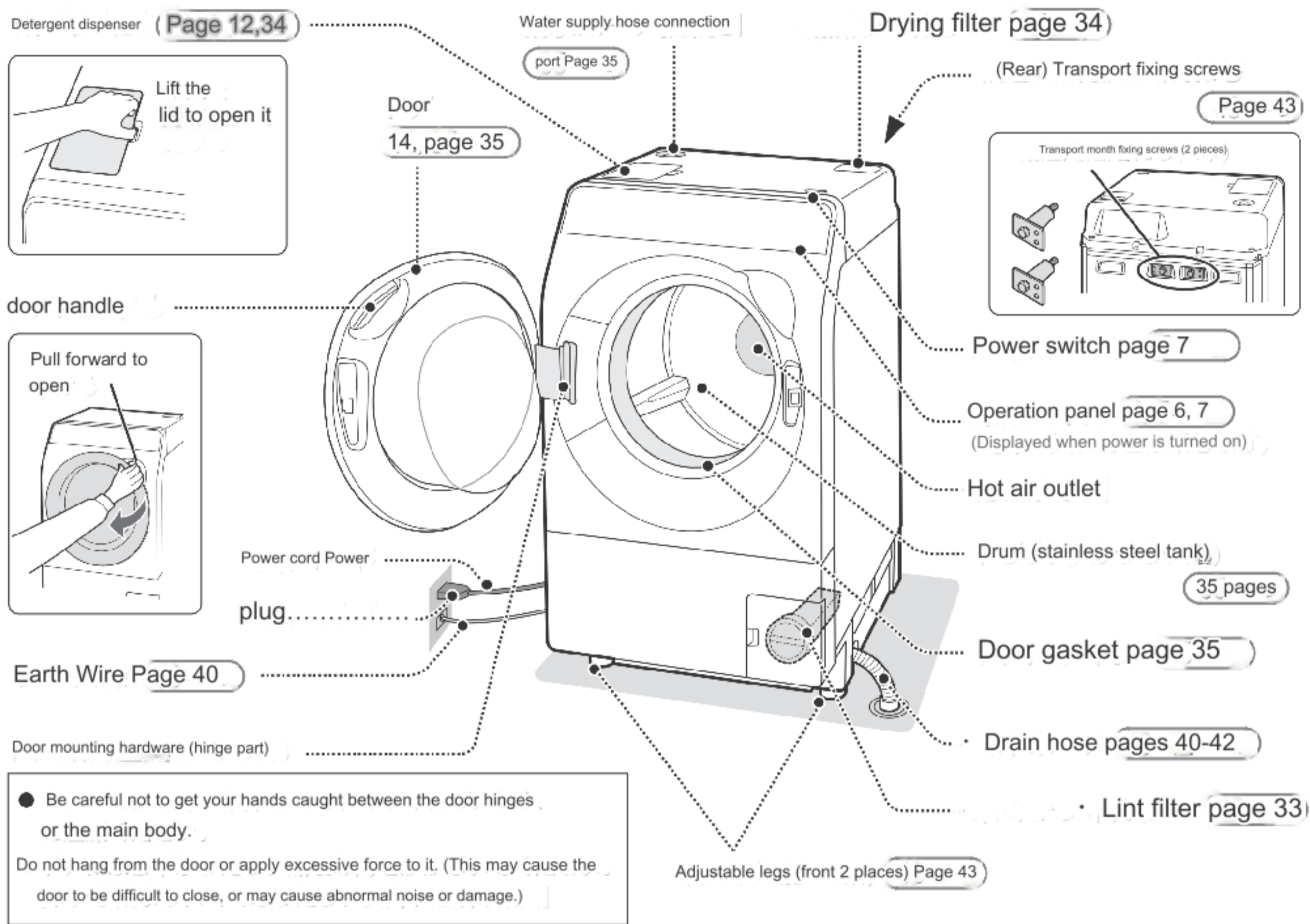
If your vehicle is damaged or out of order, we recommend that you have it inspected for safety reasons and to prevent performance deterioration. Please consult your dealer regarding the inspection costs.



For customers who purchased a right-hand opening type: This manual explains the left-hand opening type. For a right-hand opening type, the door opens in the opposite direction.
 • The illustrations used in this manual may differ from the actual ones.

Name of each part

Main body



accessories

<p>Water supply hose (1 set) Pages 44 and 45 Length: 0.8m</p>	<p>Spirit Level (1 piece) Page 43</p>	<p>Printed accessories (1 copy each)</p> <ul style="list-style-type: none"> • Instruction manual* • Installation flyer* • Warranty <p>*This product is for sale in Japan. There are no instructions in languages other than Japanese. This model is designed exclusively for Japan, with manuals in Japanese only.</p>
<p>Transport fixing screws (2 pcs) page 43</p>	<p>Transport fixing screw Removal spanner (1 pc) Page 43</p>	
<p>Screw sheet (2 sheets) 43 pages</p>		

Please prepare the spirit level, transport fixing screws, and transport fixing screw removal wrench when you move. These are necessary for transportation, installation, etc. Be sure to store any unused parts as well.

Course introduction

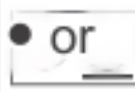
Please choose the course that matches the care label on your clothing.



Home cleaning course (washing)



Blanket course



Home cleaning course (dry)



Can't be washed

Available courses and features

At times like this [For details on operation, etc., see page 53]		course	Reference page	Laundry [Wash-Dry] [Maximum washing/drying amount, etc.]			Ion	reservation
								23 pages
For everyday clothing 	For everyday bulk washing and drying. The drying function can also disinfect clothes* and reduce static electricity*2.	standard	16,18	10kg	6kg	6kg	—	○
	Create your own course	Home style	16,18,19	10kg	6kg	6kg	—	○
	For washing and drying small amounts of everyday clothing	Time saving	20	4kg	1.5kg	—	—	○
	Washes light stains in 10 minutes			1.5kg	—	—		
	When you want to quickly pre-wash dirt such as mud or food spills before washing	Quick pre-wash	22	2kg	—	—	—	—
	For small, stubborn stains on collars, yellowing, mud, etc.	Extreme washing	21	2kg	2kg	—	—	○
	For when you want to wash more thoroughly than the standard course			10kg	6kg	—	—	
After washing, it dries in about 20 minutes, reducing the time it takes to dry clothes indoors.	room drying	16	—	6kg	—	—	○	
I'll wear clothes like this. I'll wear clothes like this. I'll wear clothes like this.	For delicate clothing such as wool, silk, and swimwear	Home cleaning (washing)	24	2kg	—	—	—	—
	For drying sweaters, swimsuits, stuffed toys, and cloth sneakers	Home cleaning (drying)		—	—	0.5kg	—	—
Wash large or thick items carefully and rinse thoroughly	blanket	26	The blanket 4.7kg	The blanket 4kg	The blanket 4kg	—	○	
Plasmacluster ions disinfect and deodorize clothing and other items. Sterilize boots*5 and deodorize*4, and use on clothing Also useful when you want to remove pollen*6.	Disinfection and deodorization	28	—	—	—	3kg	—	
Plasmacluster ions suppress mold growth inside the drum*7 If you are concerned about dirt or odors in the drum	tank clean	36	—	—	—	"Do not put laundry in"	—	
	Tank cleaning	36,37	"Don't put the laundry in." Don't put the laundry in.	—	—	—	—	

* Bath water cannot be used. (Bath water pump is not included. Also, commercially available bath water pumps cannot be used.)

The washing load is based on the fabric specified by JIS (Japanese Industrial Standards).

The drying amount is based on clothing that meets the Japan Electrical Manufacturers' Association's voluntary standards.

shirt (Blend approx. 200g) blouse (Blend approx. 200g) (Cotton approx. 130g) long sleeve undershirt

Pajamas (top and bottom) (approx. 500g cotton) bath towel (Approx. 300g cotton)

Towel (approximately 70g cotton) sheets (Approx. 500g cotton) slip (Blend approx. 150g)

Trunks (approx. 80g cotton) Socks (blended approx. 50g)

1 Testing organization: General Water Research Institute Co., Ltd. • Testing method: Bacteria adhesion test cloth is washed and dried. Measurement of the rate of bacterial reduction during washing (6kg washing to drying cycle) Sterilization method: Plasmacluster and

• Test results: Washing and drying operation • Target area: Clothes in the drum • Test results: Washing and drying operation Over 99% suppression by rotating the drum • Ion concentration: Approximately 350,000 pcs/cm² (measured at the center of the drum)

*2 According to our research, the static electricity of 2 kg of 100% synthetic fiber clothes during drying is measured using Plasmacluster "No fan" in the north, 85.7% reduction. "Plasmacluster fan" 2.87kV, "None" 20.0kV (Tested on our 2020 model ES-H10: equivalent to ES-K10B) *3 Test

Testing organization: General Water Research Institute Co., Ltd. Testing method: Bacteria in a sealed drum operated by our company

Measurement of the reduction rate of bacteria on the test cloth • Sterilization method: Plasmacluster on the target area: Clothes in the drum • Test results: 99% or more suppressed after 10 minutes • Ion concentration: Approximately 350,000 Pieces/cm² (measured at the center of the drum) *4* Testing organization: General Water Research Institute Co., Ltd. • Testing method: The test cloth was pre-stained with a juice odor and then run through the machine, and the odor intensity was measured using a 5-level odor intensifying system. Compliant and evaluated • Test results: Removal rate of 90% or more after 5 minutes (stationary) operation, removal rate of 30 minutes (stationary) operation

Ion concentration: Approximately 350,000/cm² (measured at the center of the drum) *5

• Testing organization: General Water Research Institute Co., Ltd. • Testing method: In a sealed drum operated by our company

Measurement of the reduction rate of bacteria on the test cloth attached to the bottom of the notebook. Test results: 99% or more suppressed after 30 minutes. Ion concentration: Approximately 350,000 particles/cm² (measured at the center of the drum) *6 According to our research. A synthetic fiber blend test cloth with pollen attached in advance was run through the sterilization and deodorization course, and the pollen was removed. Evaluation was conducted in accordance with the releasability test. Pollen reduction rate after 30 minutes of operation: 98.1% (our 2019

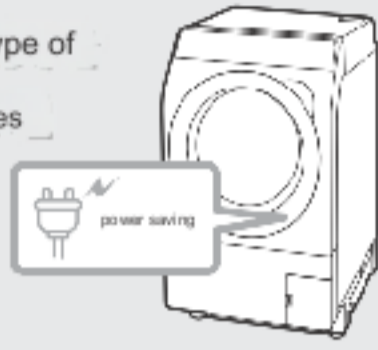
Tested on ES-HTOD model (equivalent to ES-K10B) */ • Testing organization: Sogo Suiken Co., Ltd.

• Test results: Mold growth inhibition confirmed. • Mold inhibition method: Plasma Class Target area by meter: Drum Ion concentration: Approximately 350,000 pcs/cm²

Course introduction

eco driving

The sensor detects the fabric type of the clothes and automatically saves energy.



When using the standard course or indoor drying course, "Washing - Spinning" is all automatic operation

Sensing enables optimal operation according to the situation

It judges the fabric quality and saves energy*.

eco display



- Depending on the conditions, a correct judgment may not be possible.
- You can also set the system to stop eco-driving.

page 31

* Comparison of standard course Eco Driving ON and OFF (Comparison with our company)
 When synthetic fiber ratio is 85%.
 · When washing (4.0 kg)
 Power consumption: 78Wh-72Wh
This differs from the power consumption based on the Japan Electrical Manufacturers' Association's voluntary standards.

How to view the operation panel

Operation panel

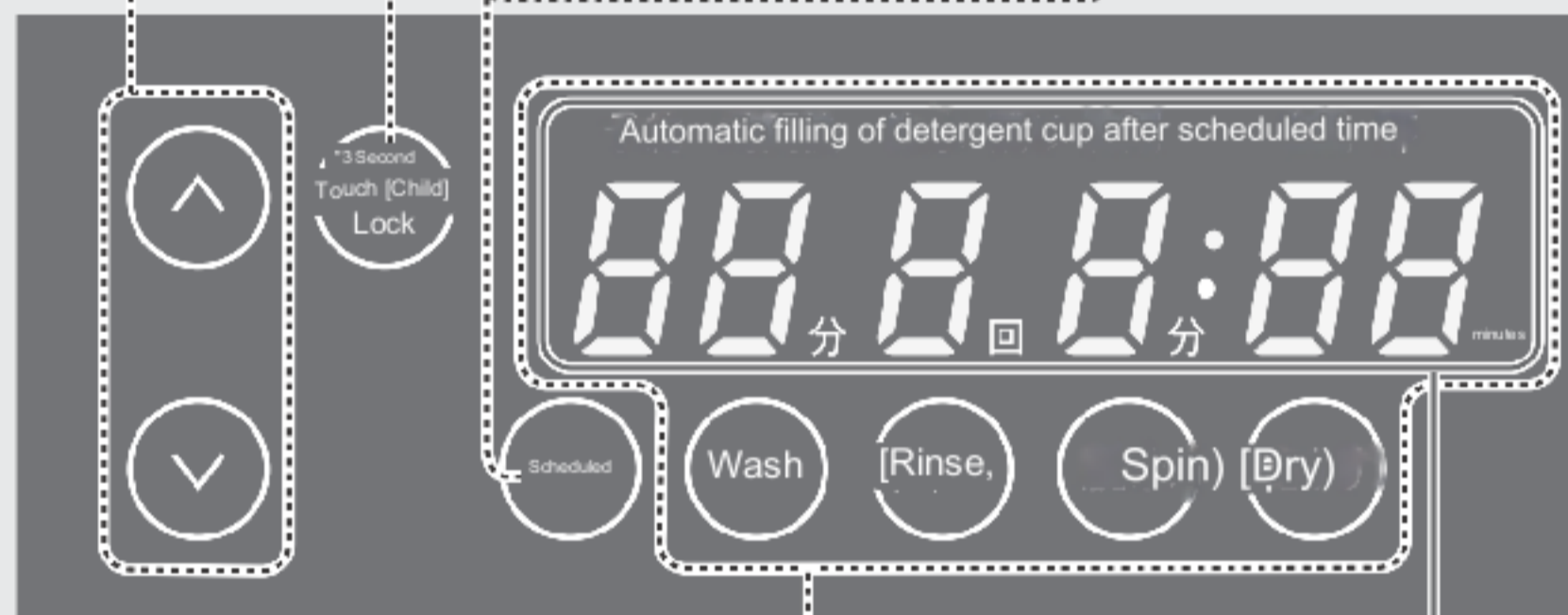
- The operation panel cannot be seen when the power is off.
- When the power is turned on, the operable keys are displayed.
 (The operation details key may not be operable even if it is displayed depending on the situation.)
 Each time you touch a key, the keys that can be operated at that time are displayed.

Arrow keys:

Used to set the time for the sterilization and deodorization course (page 28) and scheduled operation (page 23).

Child Lock Key Page 10 Used to set the child lock and to unlock the doors when the child lock is activated. Not displayed when shipped from the factory.

Reservation Key Page 23 When reserving an end time.



(lit) Water rinsing (Lights off) Rinse

Operation details/progress display
 Operation details key for the selected trip and time and Displays the number of times.
 · The "1" symbol indicates automatic operation.

Operation details key
 The time and number of times will change each time you touch it.
 · During operation, the key showing the operation in progress will flash.
 For details on the driving content and required time for each course, see page 53.

Cooling display

Flashes when the temperature inside the drum is being lowered (while air is being blown).

Plasmacluster ion lamp

This will be displayed when you select an operation that emits Plasmacluster ions. It will flash while ions are being emitted.

Operation change key Page 5

The selectable courses vary depending on the key.
The selected operation mode key lights up blue.



Standard, Home Style, Time Saving, Quick Pre-Wash, Deep Wash, Home Cleaning, Blanket, Drum Cleaning



Standard, Home Style, Time Saving, Extreme Wash, Blanket, Indoor Drying, Drum Cleaning



Standard, Home Style, Home Cleaning, Blanket



Tank cleaning, sterilization, and deodorization



Child Lock Showing 10,55

pages

Start/Pause key

door lock display

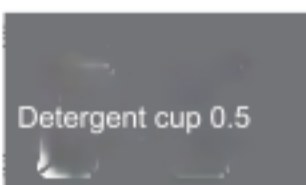
The doors are locked while driving or during wrinkle prevention operation. (The "Door Lock" indicator is on.) The doors can be opened by touching the "Start" key.

Eco Display Page 6

Number display section

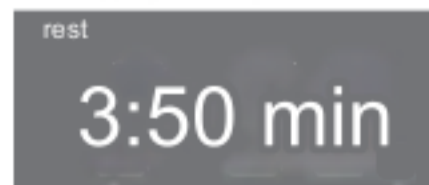
Detergent amount guideline page 11

(Example) 0.5 cup of detergent



Estimated remaining time

(example) 3 hours 50 minutes remaining



Displays in 1 minute increments.

Reservation time page 23

(Example) Operation ends after 9 hours



Error display/notification display

Pages 54, 55

(Example) E02 error



Wrinkle-free driving, page 15



Prevents wrinkles after drying

To prevent wrinkles, we perform wrinkle prevention operation.

(About 30 seconds every 2 minutes.

The drum rotates and the "remaining" display appears. flashes)

power switch

Power on/off






The power will automatically turn off when operation is finished. If the power is left on, it will turn off after 5 minutes.

Before use

Checking the laundry



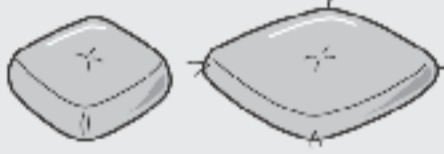

☆ Items that cannot be washed or dried

Items with the care labels on the right, items without care labels or composition labels, and the following items cannot be washed or dried.

● 	No washing at home
●  	Can be dry cleaned using petroleum-based solvents






- Items that have a lot of interlining and tend to lose their shape easily 
 - Ties, blazers, jackets, coats, suits, etc.
- Leather products and items with leather decorations 
- Brushed products that cause hair to fall out
 - For example, velvet, velour, etc.
- Items that fade easily
- Japanese clothing, accessories, etc.


- Materials that may cause significant shrinkage, discoloration, or surface changes.
 - example Rayon, cupra, silk and blends, etc.
- Items with surface irregularities that tend to disappear, such as wrinkle-resistant and embossed items
 - example
- Fabrics that may lose their shape or change their surface
 - 例 Fabrics made with tightly twisted yarn, such as georgette, crepe, and chirmen
- Items containing urethane (sponges)

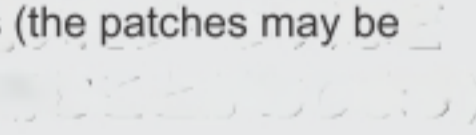


- Waterproof 
- Carpets, waterproof carpet covers and mats (those with rubber on the back) 
- Cushions, pillows, etc. 
- Contains a hard core
 - Examples include laundry nets with stiff cores, hats with brims, etc. 

✕ things that cannot be dried

Items marked with the handling instructions on the right and the following items cannot be dried.

●  	Can be dry cleaned using perchloroethylene and petroleum-based solvents	●  Hanging to dry is best.
● 	Do not tumble dry	●  Dry flat in the shade.

- Items with oil or solvent on them
 - What kind of edible oil, animal and vegetable oil, machine oil, kerosene, Gasoline, beauty oils (body oils, beauty salon oils, etc.), ointments, benzene, paint thinner, alcohol, dry cleaning oil, etc. 
 - [Causes of spontaneous combustion and ignition due to heat from the oxidation of oil]
- Urethane foam (sponges), polypropylene Fiber, resin (cellulose-based), craft glue
 - [Causes of spontaneous combustion or ignition due to heat from oxidation of oil]

- Items with pet hair on them [Hair accumulates in the drying path and causes breakdowns]
- Jeans with leather patches (the patches may be damaged by heat) 
- Items with decorations (which may damage clothing) 
- Items that are glued (glue may stain the inside of the drum)
- Items with prints may be damaged by heat. 

For more information on clothing care labels, please click here.

https://jp.sharp/support/washer/doc/care_instructions.html



Precautions when preparing laundry

Let's check

- Check the care label on the garment and select a course.
- Treat stains and spot stains using methods appropriate to the type of fabric and the nature of the stain.
- When washing clothes for the first time, check for color fading and color transfer. (Wash items that are prone to fading separately.)

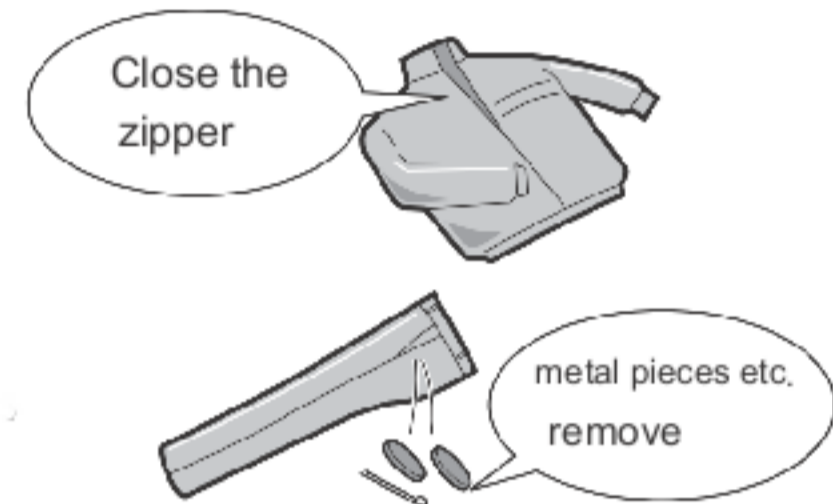


To prevent damage to the device or clothing

- Remove sand, mud, pet hair, etc. beforehand.

Tie strings and close zippers. Items with metal buttons or decorations should be turned inside out or placed in a net.

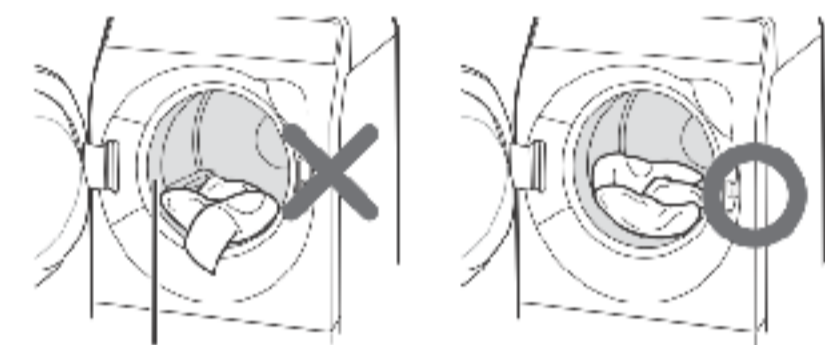
- If you are concerned about pilling, lint, or fuzz, turn your clothes inside out.
- Be sure to remove any metal pieces such as coins, hairpins, curtain fittings, etc.
- If you put only cotton clothes and towels in the washing machine, the clothes will tend to stick to the inside of the drum, so wash them together with synthetic clothes.



- Place laundry further back than the balancer.

[Laundry gets stuck between the door and the door gasket, causing clothes to tear and the door gasket to break, resulting in water leakage]

- Light clothing in particular has a tendency to move toward the door while driving, so place them at the back of the drum.



Balancer (gray)

Put the laundry inside the drum. Do not let it protrude from the balancer (gray).

- In the following cases, be sure to use the washing cap (sold separately).

- When using the blanket cycle. **Page 26**
(When washing blankets, futons, carpet covers, mats, etc.)

- When washing with the standard cycle, if there is a large amount of laundry, the laundry may fall out of the load slot (balancer).
When it is about to spill out. •

For laundry that does not change shape even when it absorbs water, such as judo uniforms, or thick, stiff laundry.

When we do laundry together.

- - When laundry, such as curtains or sheets, is about to spill out of the laundry opening (balancer).
- Wash slippery laundry (such as jerseys) and small laundry (handkerchiefs, socks, etc.)

When washing, when there is a large amount of laundry.

- When washing school uniform jackets that are labeled "washable."



Washing cap

(sold separately) (back cover)

When washing the above laundry items, if you do not use the washing cap or do not use it properly, the laundry, the main body, If the washing cap is damaged, it is not covered by the warranty.

- Separate the following clothes by type and place them in a laundry net.

Delicate clothing, small items (such as socks and handkerchiefs), and light, bulky clothing (such as fleece material)

[Causes of clothing flying out and damaging the clothing or device while driving]

- Put in a small amount. Don't put everything in one laundry net, but divide it into different nets.

[Causes of poor washing, rinsing and spin-drying performance, and clothes becoming unevenly

distributed or flying out during spin-drying] Laundry nets with hard cores may damage clothes if they tear.

We recommend using a commercially available laundry net designed specifically for drum-type washing machines.



- Do not wash clothes that become heavy when they absorb water (such as jeans or sweatshirts) by themselves; wash them together with other clothes.

[Clothes become unevenly distributed during spin-drying, causing vibrations and strange noises]

- If you put 1 to 3 bath towels or other items together, they will not get unevenly packed.

Before use

child lock

By setting the child lock, you can lock the door even when the power is off.
[To prevent children from accidentally entering the drum]

- The child lock is not set when the product is shipped from the factory. (The "Child Lock" key is not displayed.)
- When the child lock is set, the "Child Lock" key will be displayed when the power is turned on. If the doors are locked while the child lock is set, both the door lock and child lock will be displayed.

Child lock settings

- Close the door and turn the power off by pressing and holding the power switch until you hear a beep (approximately 4 seconds).

▶ Enter "Setting Mode" page 30
- 3 seconds touch [Child lock] current Display settings

▶ **OFF** "Child Lock" key not displayed (default setting)
- Touch again to change

3 seconds touch [Child lock] "Child Lock" key not displayed

[Set child lock] **On** Show "Child Lock" key
- Decide

Start - Pause Petes♪

▶ The power is turned off after saving the setting.

- Always close the door before operating this function. If the door is open, the "EO2" error will be displayed in step 4. Page 54
- To disable the child lock setting, perform the same operation but select "OFF" in step 3.

How to use

How to open the door when the child lock is set

Touch the "Child Lock" key for more than 3 seconds
(If the power is off, turn it on before touching it)

3 seconds touch [Child lock] Touch for more than 3 seconds

• The lock will be released and you can remove the laundry.

If necessary, lock it again

close the door ▶ Touch the "Child Lock" key for more than 3 seconds

• The door will lock again. Pull the door open to ensure it is locked.

- When the doors are locked while the child lock is set, both door lock and child lock will be displayed.

Please perform a "drying test run" before using for the first time.

It reduces the smell of rubber and other materials that occurs when you first start drying.

- Open the tap and turn on the power

drying ▶ (dry) ▶ 2H 分 ▶ start - pause

Select "2H (2 hours)"

- Do not put laundry or detergent in the machine.
If the smell bothers you, try doing it again.

- After finishing, turn off the power,
Leave the door open for a while (approximately 30 minutes)

The drum and door become hot. Especially for small children. Please be careful.

- When the drum and door temperatures have dropped, close the door.

How to use detergents

- The amount of water used for the home cleaning course is 24 pages.
- How to use soap: page 13 –


Amount of detergent used Standard, Home Style, Time Saving, Extreme Wash, Blanket, Indoor Drying Course

Please measure the detergent amount using the table and reference.

Drum type washer-dryers are highly water-efficient, so you can wash clothes with less detergent than with regular washing machines.

- The "detergent amount guideline" is based on a cup with 42g per level scoop. The amount used and the size of the cup (cap) vary depending on the type of detergent, so please refer to the "detergent amount guideline" and the table below to measure correctly.
- The names and amounts of detergents used may be subject to change.

As of October 2023

The amount of water used per 30 liters is indicated on the container.	Synthetic detergent (powder)		Synthetic detergent (liquid)		Softener				Oxygen-based liquid bleach	
	18g	30g	10mL	25mL	7mL	10mL	16mL	20mL	20mL	40mL
For items not listed in the table, please refer to the label on the container. 	Highly Active Attack Bio Power	Indoor Drying Top Sterilizing EX	Attack ZERO Drum-type Super NANOX	New Beads Lasting Fragrance Top	Funwari Soflan	Flair Fragrance Soflan aroma rich	Lenor Happiness	Humming	Bright Strong	Halter Essential Bright Wide
When measuring by weight	1.1	47g	78g	26mL	65mL					
	1.0	42g	71g	24mL	59mL	18mL	28mL	45mL	50mL	20mL 40mL
	0.8	33g	55g	19mL	46mL					
	0.6	27g	46g	17mL	38mL	13mL	20mL	32mL	40mL	15mL 30mL
	0.5	22g	37g	12mL	31mL				25mL	
	0.4	18g	30g	10mL	25mL	9mL	12mL	19mL	20mL	10mL 20mL
	0.3	14g	24g	8mL	20mL					
When measuring by the number of detergent cups (cups)	1.1	1.1 cups								
	1.0	1.0 cup			0.5 cup	0.7 cup	1.1 cup	1.4 cup	0.4 cups	1.0 cup
	0.8	0.8 cups								
	0.6	0.6 cups			0.4 cups	0.5 cup	0.8 cups	1.1 cups	0.3 cups	0.8 cups
	0.5	0.5 cup						0.7 cups		
	0.4	0.4 cups			0.3 cups		0.5 cup	0.6 cups	0.2 cup	0.5 cup
	0.3	0.3 cups								

please

Do not add too much detergent.

If it is too long, a lot of foam will be generated and the cleaning ability will be reduced.

The air pressure may decrease or bubbles may form in the air passage.

Dust may accumulate inside the unit.

The foam will have a variety of effects on the door.

If it is still within about 10 minutes, please use detergent next time.

Reduce it by 20 to 30 percent.

The recommended amount of detergent and the amount of water (for washing) (Standard/Home/Indoor Drying Course)

"0.8 cups": Approx. 6~10kg (approx. 28L)

"0.6 cups": Approximately 4 to 6 kg (approximately 26 L)

"0.5 cup": Approximately 2 to 4 kg (approximately 22 L)

"0.4 cup": Approximately 2 kg or less (approximately 18 L)

(The amount of water cannot be changed.)

Display of detergent amount guide for each cycle

- Time saving: "0.3 cups" "0.4 cups"
- Blanket: "0.5 cups" "0.8 cups"
- Extreme cleaning: "0.6 cups" to "1.1 cups" · Home cleaning: "1.0 cup" (The amount of detergent used in the Home Cleaning Course is different from other courses. Please check page 24.)

How to use detergents

How to add detergent

Lift the lid of the detergent dispenser to open it, and pour in the detergent. If water supply starts midway, press the "Start" key to pause it, then pour in the detergent.



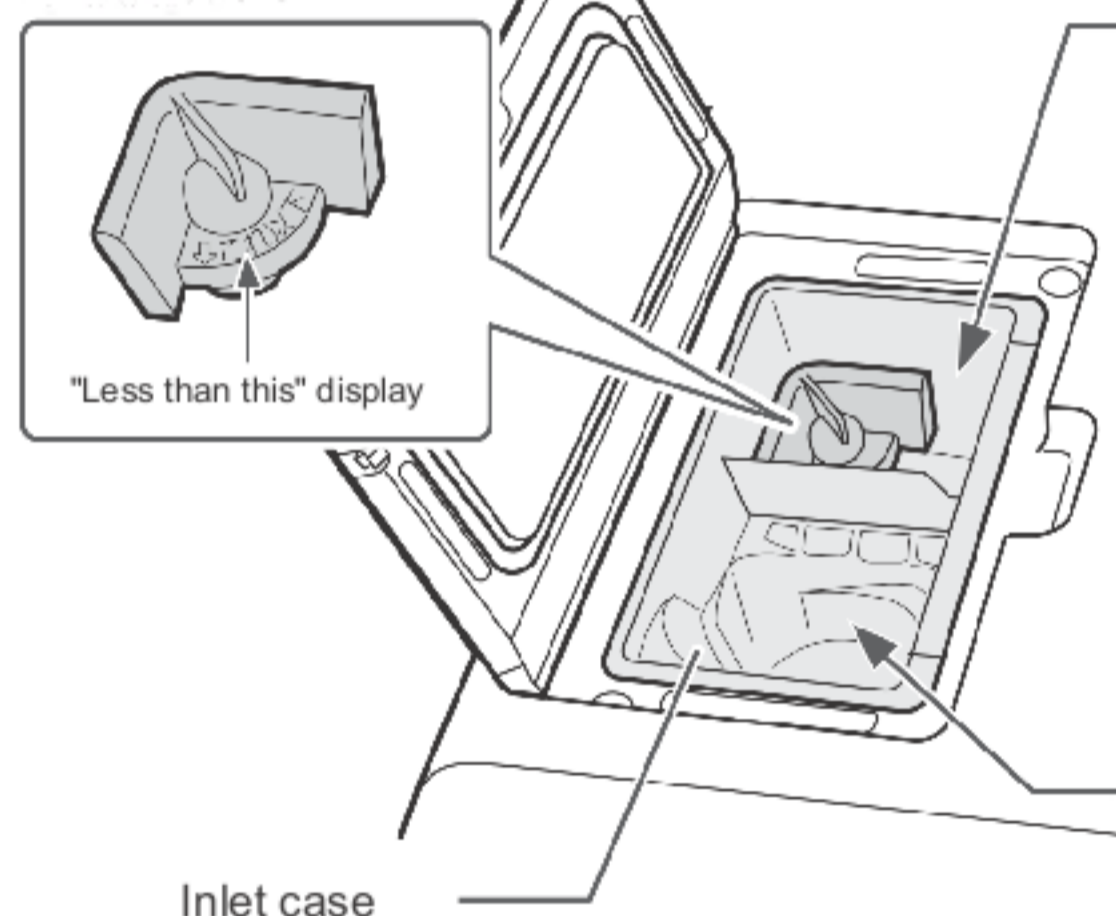
After adding detergent, be sure to close the lid (to prevent water leakage during operation).

- For safety, the hinges are designed to come off if the lid is opened too far. If this happens, reattach the hinges.



Detergent dispenser

fabric softener cover



Fabric softener

Put the fabric softener into the dispenser

- Holds up to approximately 55mL.
- Water supply for the "final rinse" will begin.
- Do not add more than what is indicated.

[Causes of immediate leakage]



Synthetic detergents and bleaches

Put in the "synthetic detergent/bleach" slot

- The water supply for "washing" will begin.
- When using liquid and powder at the same time, add the liquid first.
- Liquid and powder cannot be used at the same time during scheduled operation. Please use only liquid or only powder. (Because the powder may solidify during scheduled operation.)



For gel ball detergents and fragrance beads, place them directly into the drum. (See the label on the container for the amount to use.)



About the detergent input section

- Do not put any foreign objects other than detergents, gel ball detergents, powdered soap, laundry starch, scented beads, etc. into the detergent dispenser. [Causes of water leakage]
- Always use the fabric softener cover. Always keep the lid closed while the machine is running. [Causes of breakdowns and water leaks]
- Before use, be sure to wipe the feed case with a dry cloth. [Causes of powder remaining undissolved]
- If the powder detergent has solidified, loosen it up before adding it.
- Do not add too much detergent. [Internal clogging and water leakage]
- Due to the siphon structure, it can be easily removed after operation. Water may remain in the agent inlet, but this is not abnormal. Clean the detergent dispenser after each wash. Page 34
- If fabric softener is left in the laundry for more than 12 hours or if the temperature is low, it may harden.

If detergent gets on the unit, immediately wipe it off with a damp cloth. [Causes of damage and cracking of plastic parts, etc.]

•Please be aware of changes in storage conditions such as ambient temperature and humidity when using detergents, and use them promptly. Storage conditions may cause the detergent to harden, fabric softener to become mushy or form granules, or other changes in state. Such detergents are difficult to dissolve, and may not be effective or may cause stains.



How to use soap

Amount of soap used

Please measure the detergent amount using the table and reference.

As of October 2023

"It's written on the container. Amount used per 30L of water"	soap powder	liquid soap	
	36g	50mL	45mL
Detergent amount guide display	breeze	Soap for your skin	Liquid breeze painting
1.1	84g	104mL	87mL
1.0	77g	94mL	78mL
0.8	59g	71mL	59mL
0.6	48g	56mL	47mL
0.5	39g	46mL	39mL
0.4	36g	41mL	34mL
0.3	29g	33mL	28mL

- Do not put powdered soap in the detergent dispenser. [Causes of internal clogging, water overflowing and leaking when supplying water]
 - Compared to synthetic detergents, it is more likely to remain on laundry, so rinse thoroughly. (Causes yellowing and odor)
We recommend rinsing with water three times.
 - Do not add too much or put directly into low temperature water. [Causes of soap scum buildup]
- Do not use powdered or liquid soap for scheduled operation. [Causes of soap hardening]

How to put soap powder in

① Prepare lukewarm water (about 2L) of about 30°C in a washbasin. ② After starting the washing cycle, when the detergent amount guideline is displayed,

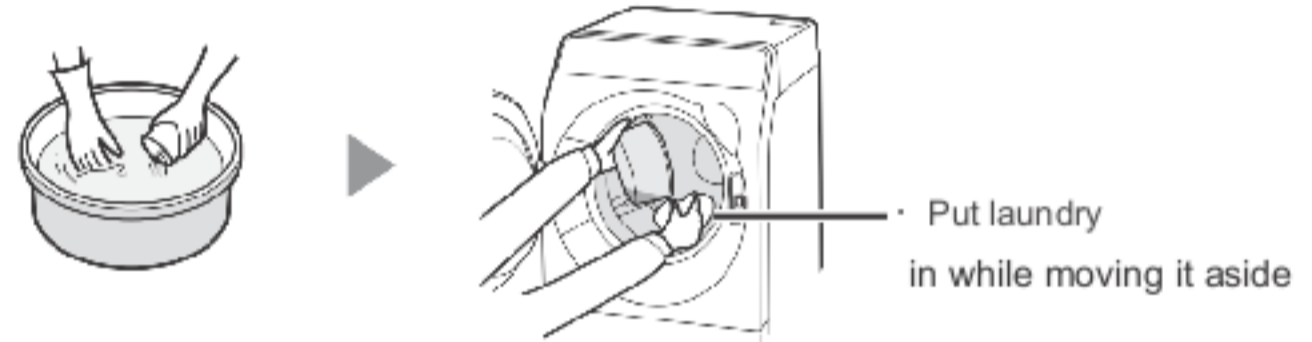
Press the "Start" key to pause.

③ Measure out the soap powder using the label and table in ② as a reference. ④ Gradually add ③ to the lukewarm water in ① while stirring.

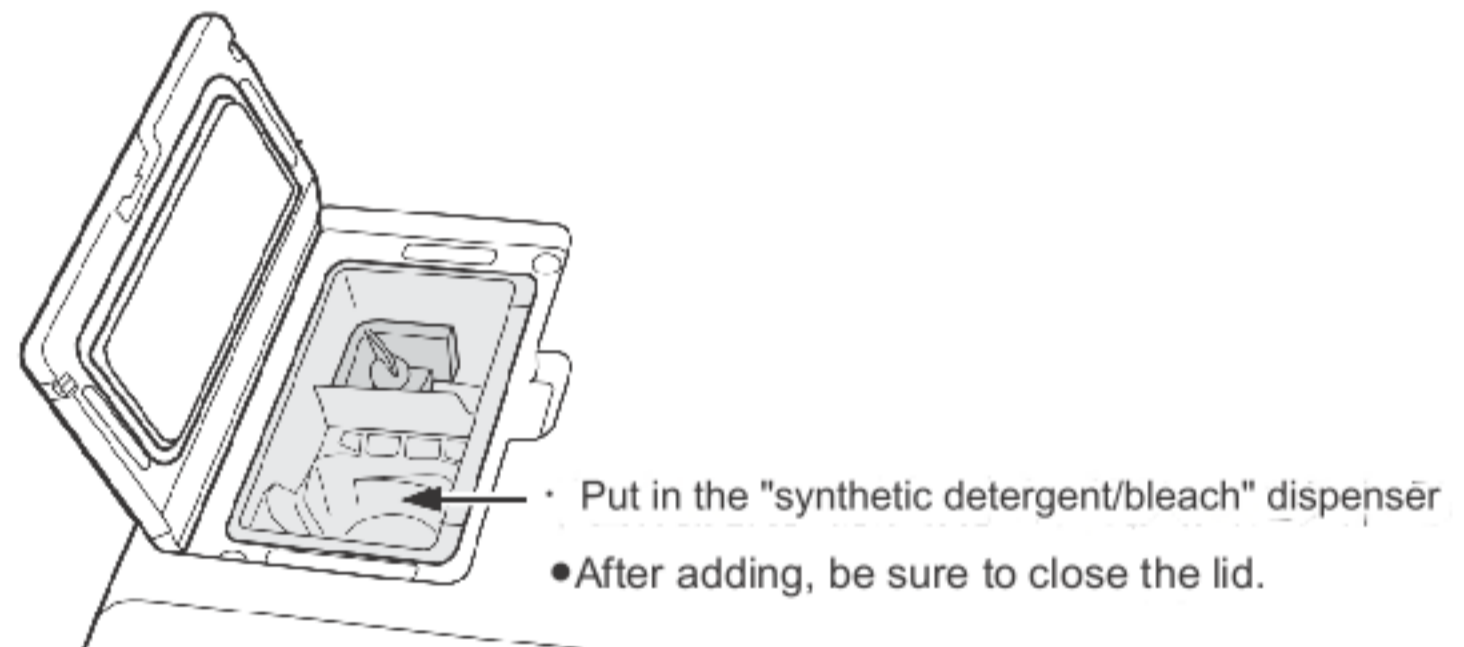
Dissolve thoroughly.

⑤ Open the door and pour the liquid into the drum little by little.

⑥ Close the door and restart.



How to pour liquid soap



How to apply glue

1. Dilute the synthetic glue labeled "for washing machines" with 1L of water.

② Pour the diluted glue into the drum little by little.

③ Put in the laundry to be starched (1.5 kg or less) and close the door. ④ Set the cycle to "Standard Wash", "Wash/10 minutes" and "Spin/1 minute", then start the cycle.

⑤ When the cycle is finished, remove the laundry.

⑥ To remove any glue that has built up on the drum, immediately run the "Standard Wash" cycle, "Wash" for 5 minutes, and "Spin" for 3 minutes. (Adding about 10mL of bleach is effective.)



- Do not put glue into the detergent dispenser. [It may harden inside and cause water leakage]
- Wash off any glue that has adhered to the drum. Do not use any laundry glue other than that specified. [Causes of malfunctions such as clogging and water leakage]
- Do not dry starched laundry in this machine. [Causes of drum stains and malfunctions]

Washing/drying process

standard course

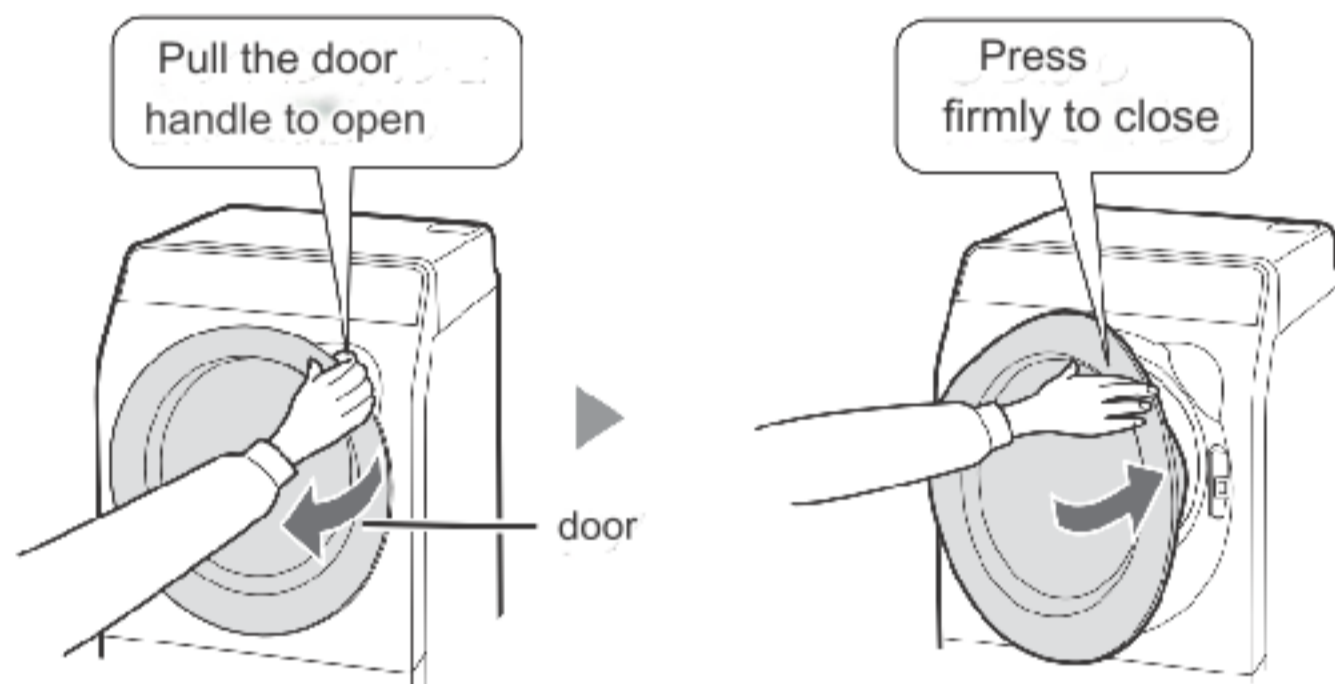
Get ready and put in the laundry

prepare the laundry (9 pages)

open the faucet

•Always keep the water tap open even when drying.

Open the door and put the laundry in



•If the door is not securely closed, "EO2" will be displayed.

(54 pages)

Open the door once and check that no clothing has been caught, then close the door again and try again.

•If you have a lot of laundry, please use the washing cap (sold separately). (Page 9, 26 Back cover)

When opening or closing the door, do not place your hands near the door mounting bracket (page 4). [Cause of injury]

Turn on the power and select the operation mode

Power on/off

start

Start

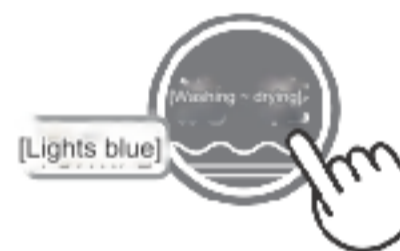
-Pause

Turn on the operation switch key you want to operate in blue.

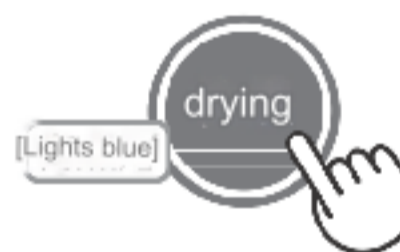
laundry



Washing ~ drying



drying



Washing/Washing-Drying

Estimated amount of detergent

Estimated remaining time

drying

Estimated remaining time

Basic movements while driving

laundry

wash



water supply



wash



drainage

After the detergent amount is displayed (for about 20 seconds), the display will flip left and right.

Start water supply

Wash thoroughly

rinse



intermediate water removal



Rinse



drainage

Repeat twice

If the installation is poor, such as there is a water leak or it is loose, please contact the store where you purchased the product or the installer.



Note

If you will not be using the product for an extended period of time, be sure to unplug the power cord from the outlet. Unplug the cord (this may cause electric shock, leakage, or fire due to deterioration of the insulation).

When you use the unit for the first time, there may be residual water coming out of the drain hose, or the door glass may be cloudy or have water droplets. This is water from factory testing and is not abnormal.

Do/Add detergent



Lock the door and measure the laundry. Washing

- Drying: Measures in about 15 seconds
- Drying: Measures in about 7 minutes



(Displayed for about 20 seconds)

add detergent

45 minutes left

(Washing~Drying)

"U05" is a notification that the amount of laundry is large. Page 55

3:45 left

(Washing Washing ~ Drying)

Put the detergent into the detergent dispenser according to the recommended amount indicated on the display. Page 11

Softener

Detergent (powder/liquid)
Bleach (powder/liquid)

After the detergent amount is displayed, water supply begins.

driving

Remove and clean the laundry

Pet's
Pet's

Open the door and take out the laundry

close the faucet

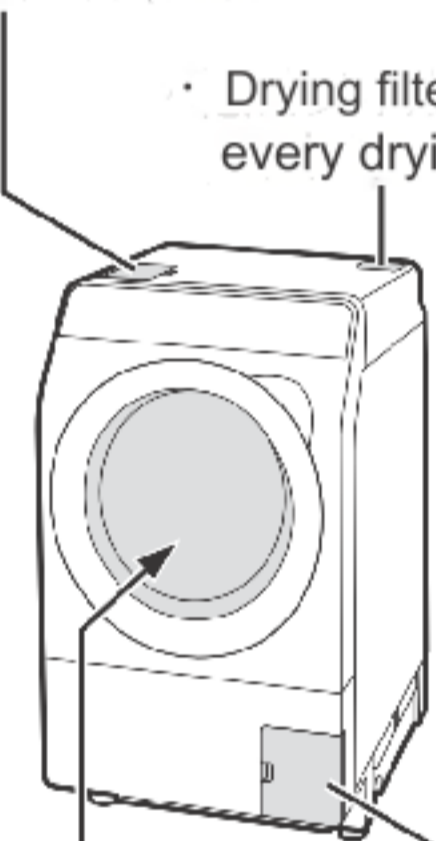
Maintenance Pages 33 and 34

• Detergent dispenser (every time you wash)

• Drying filter (for every drying)

- Glass surface inside the door (every time it is used)

- Lint filter (every 1-2 weeks)



drying

dehydration



drying

Sensor detects dryness



Air blowing operation

Anti-wrinkle operation

To prevent wrinkles after drying, the fan will operate intermittently for up to 2 hours. When drying is complete, unlock the door with the "Start" key and remove the laundry as soon as possible, please.

To notify you, an end sound will be played every 30 minutes. It rings.

Washing/Washing-Drying

Standard / Home style / Indoor drying course

Washing Washing ~ Drying

"Washing and drying limit"		laundry	Washing~ drying
Standard/Home style	For bulk washing. The "wash-dry" cycle also disinfects clothes and reduces static electricity.	10kg	6kg
room drying	When you want to shorten the drying time	—	6kg

preparation

Turn on the tap, put in the laundry, and close the door.

CHECK

Check before driving

- ✓ Place laundry at the back of the drum to prevent it from getting caught in the door and getting damaged.
- ✓ If the amount is large, use the washing cap (sold separately).

9,26 Page Back Cover

How to open



pull the door handle

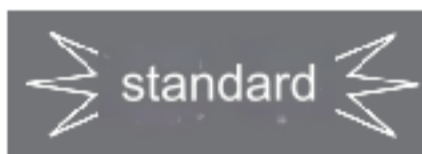
How to close



Push the door firmly

1

Power on/off

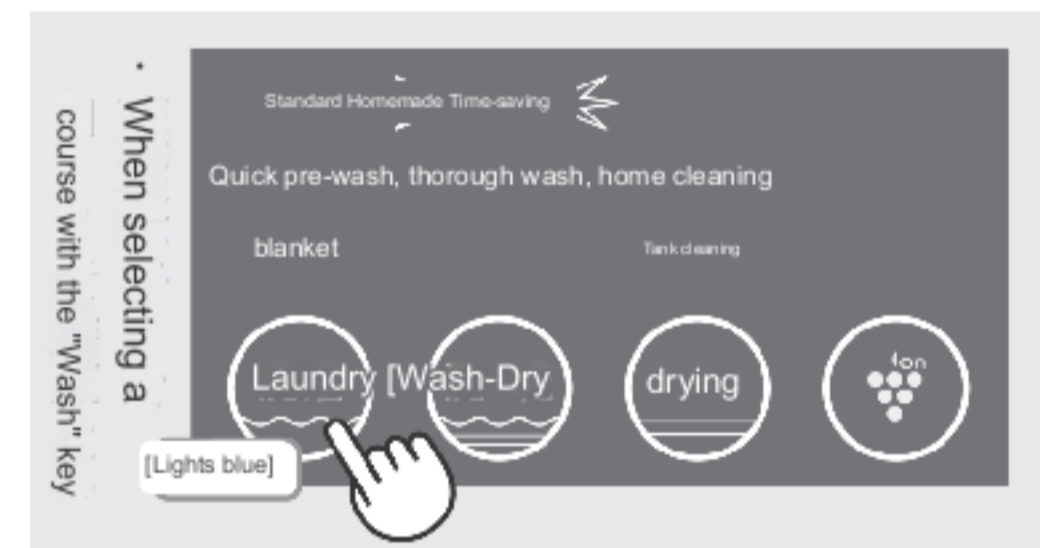


- The setting is "Wash-Dry/Standard Cycle" when shipped from the factory.

The selected operation switch key will light up blue and the selected course will flash.

Set as required

- Select another course or the course for the "Wash" key



When you operate the Standard, Home Style, Time Saving, Extreme Wash, Blanket, or Room Drying course, the course and operation contents ("Wash" or "Wash-Dry") will be memorized. ("Dry" will not be memorized.) The next time you turn on the power, the memorized course and operation contents will be displayed.

- Choose according to your needs

When making a reservation

23 pages



2



Laundry load measurement (approx. 15 seconds)

When removing clothes, make sure they are not stuck to the top of the drum.

After operation, clean the detergent dispenser and the glass surface inside the door. Page 34

If you use the "Wash-Dry" cycle, please also clean the drying filter. Page 34

- If "U04" is displayed, wash the drying filter with water. Page 34

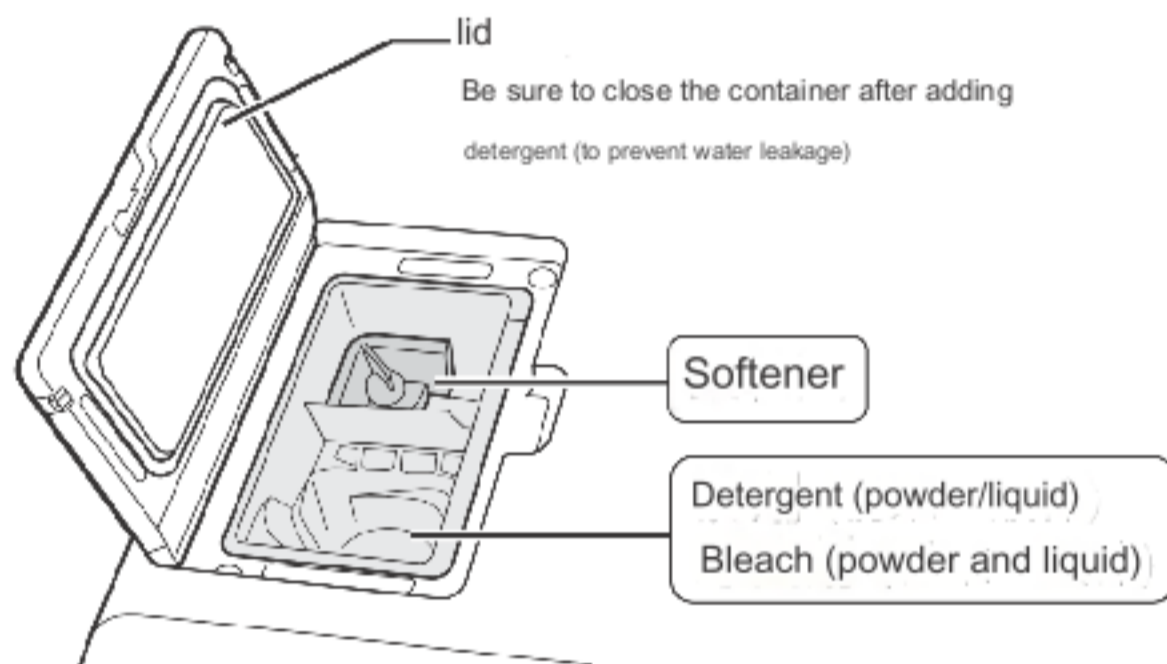
3

Add detergent according to the recommended amount indicated on the display.

Pages 11 and 12



If water supply starts midway, pause it and then add water.



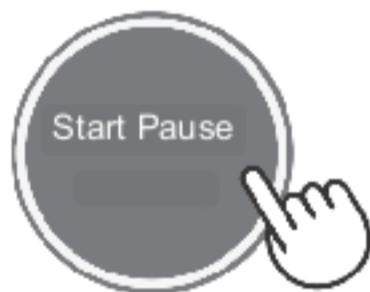
•Plasmacluster ions are released into the drum during drying.



driving

Operation completed

Beep beep



•For laundry only, it can be opened without touching the "Start" key.

open the door
take out the laundry

After drying, run the wrinkle prevention cycle.

(Up to 2 hours) Drying is complete, so please remove it as soon as possible. Display on

page 15



Caution: •The door and drum will be hot after drying.

•When using the "Wash-Dry" cycle, to prevent a decrease in drying capacity, Please run the tank cleaning course regularly. Pages 36 and 37
In the Standard Course and Home Style Course, you can adjust the drying results. It can be adjusted. Page 32

Change driving details

During the wash cycle, you can change the time and number of times for "Wash", "Rinse", "Spin" and "Dry".

Target courses: Standard, Home Style, Blanket, Indoor Drying

1 while washing



pause

When adding laundry

- Use the "Start" key to unlock the door and enter. (Be careful not to spill water or foam.)
- Do not push the laundry in. [Causes of water level rising and overflowing]

Wipe off any water or bubbles on the door. [Causes of water flowing onto the floor]

If there is more than the specified amount of water remaining in the drum, The lock cannot be released to prevent water leakage (especially when using the blanket course, which uses a large amount of water). If you want to add more laundry, drain the water, open the door, and then restart the operation from the beginning.

2

Select the key for the trip you want to change.



- For selectable times and number of times, see page 53. (The "Spin" setting for "Wash - Dry" cannot be changed.)

3



restart

- The setting cannot be changed once the wash is nearing completion.
- Once driving has begun, you cannot change the following:
 - Changing the course
 - Add/cancel "Dry"
 - Changes, additions, and cancellations to "reservations"

dry

Standard/Home-style Drying

Upper limit of dry amount

6kg

1. Turn on the water tap, put in the items you want to dry, and close the door.



- Dehydrate thoroughly and remove wrinkles before placing.

- Because this is a water-cooled dehumidification system, be sure to leave the water tap open.
- Do not use hot water. [Causes of reduced drying efficiency, longer drying times, and difficulty in drying]

2. Turn on the power and select the course with the "Dry" key.

Power on/off



as needed

- Reservation driving



23 pages

- Adjust the drying finish

32 pages

as needed

- Select drying time



For a guide to drying amount and drying time, see page 53.

3



The amount to be dried is weighed and after approximately 7 minutes an estimated drying time will be displayed.

3:00 left

- During operation, plasma cluster ions are released into the drum.



driving

Operation completed



Peep Peeps

- After drying, the anti-wrinkle operation will be performed (up to 2 hours). Drying is now complete, so please remove the items as soon as possible.

open the door
take out the laundry

rest



Wrinkle prevention during operation

- Please be careful as the door and drum will become hot after drying.
- After operation, clean the drying filter and the glass surface of the door.

Page 34

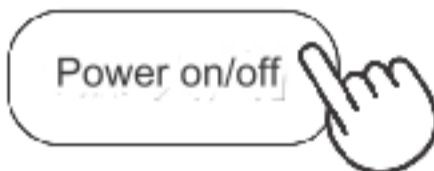
To prevent a decrease in drying capacity, run the tub cleaning course regularly. Pages 36 and 37

Register your own course

Home-style course Washing Washing~Drying

You can register your own "home style" for each step.

Turn on the water tap, put in the laundry, close the door, and turn the power on.



2. Select "Home Style" for the operation switch key you want to register.



• The selected key will light up blue.

3. Select the time and number of trips you want to register



• For available times and number of sessions, see page 53

Factory settings

	Wash, rinse, spin-dry			
Washing 5 minutes Soaking 1 time 1 minute Wash-dry				—
5 minutes Soaking 1 time Automatic Automatic				
drying	—	—	—	automatic

• When in the "Wash~Dry" mode, the spin cycle cannot be changed or canceled.

• Reservations can be made. (Page 23)
(Cannot be registered)



• Once you start, the content you have selected will be registered as your Home Style course.

The next time you turn it on, the selected operation ("Wash" or "Wash-Dry") will be Displays the "home style."
("Dry" is not remembered)

For lightly soiled clothes with small amounts

Time-saving

course Washing - Drying

Quickly washes and dries small amounts of everyday light stains.

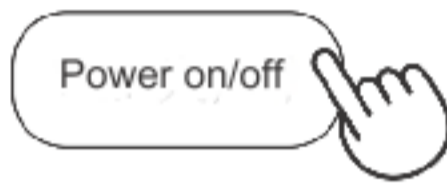
If your laundry weighs less than 1.5kg, it will take about 10 minutes to wash.

- If you have a large amount of laundry or are concerned about dirt, we recommend using the standard or deep wash cycle.

Washing/drying amount	Laundry (10 minutes)	Washing - drying
upper limit of	4kg (1.5kg)	1.5kg

1

Open the faucet,
Put the laundry in, close the door, and turn it on.



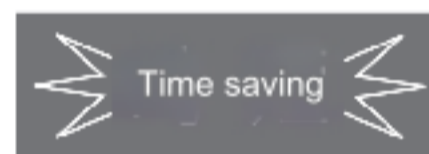
as needed

- Reservation driving



23 pages

2. Use the "Wash" or "Wash-Dry" key to select "Time-saving"



- The selected key will light up blue.

3

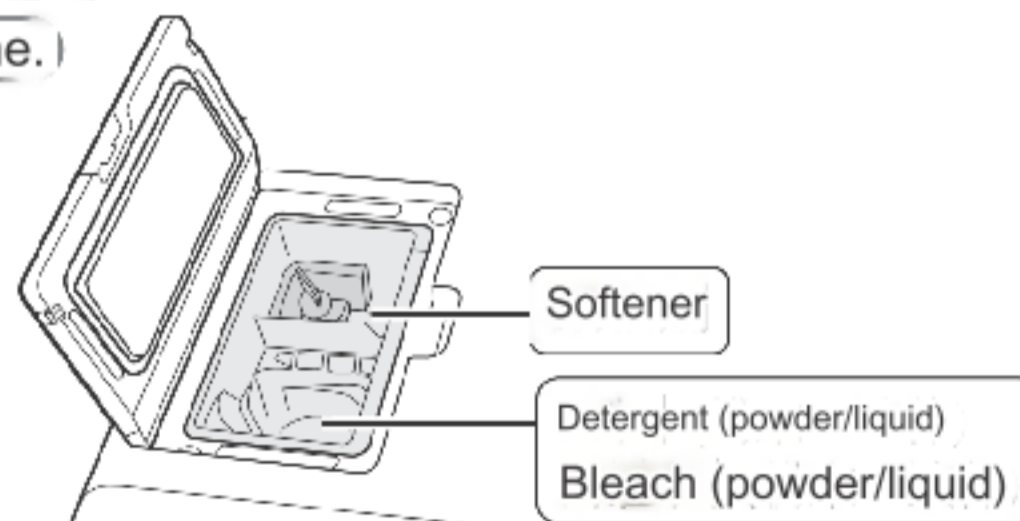


- Measure the amount of laundry.

- When you start, the time-saving course will be memorized. The next time you turn it on, the "time-saving" course will be displayed.

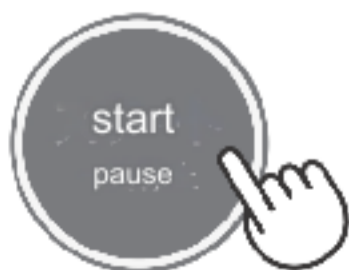
4

Add detergent according to the detergent amount guideline.)



driving

Operation completed



open the door
take out the laundry

Petes
Peets

- After drying, a wrinkle prevention operation will be performed.

(page 15)

- If you are only doing laundry, you can open the door without touching the "Start" key.

- Please be careful as the door and drum will be hot after drying.

For hard-to-remove dirt such as mud and yellowing

Extreme Wash Course Washing Washing~Drying

The clothes are heated with hot air to enhance the effectiveness of the detergent, and then the high-pressure shower thoroughly removes dirt and rinses it away.

•In order to wash more thoroughly than the standard course, the operating time is longer and more water is used*1:

"Washing and drying limit"	Laundry Washing~Drying	
Mud stains, yellowing, For collar stains etc.	2kg*2	
For when you want to wash more thoroughly than the standard course	10kg	6kg

*1 Washing only, 2kg load: Operating time: Approx. 95 minutes/Water usage: Approx. 65L *2 2kg load (1 type): Up to 10 shirts, up to 4 sets of gym clothes (tops and bottoms), up to 2 work clothes, up to 4 sets of training wear (tops and bottoms), up to 2 sets of baseball uniforms (adult), up to 4 sets of baseball uniforms (children)



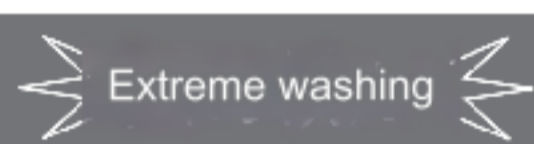
To effectively remove stubborn stains, use a laundry load of no more than 2 kg.

•Even with loads of over 2kg, the cleaning effect is better than the standard course.

1. Open the faucet,
Put the laundry in, close the door, and turn the power on

Power on/off

2. Use the "Wash" or "Wash-Dry" key to select "Extra Wash"



•The selected key will light up blue.

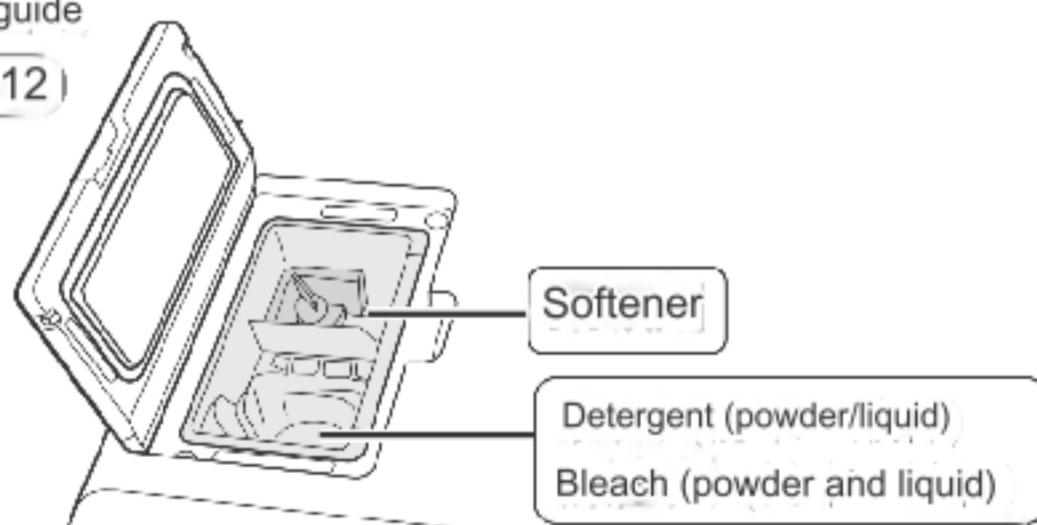
3



•Measure the amount of laundry.

When you start, the deep wash course will be memorized. The next time you turn it on, the "Deep Wash" course will be displayed.

4. According to the detergent amount guide
Add detergent (Pages 11 and 12)



driving

Operation completed



open the door
take out the laundry



•After drying, a wrinkle prevention operation will be performed.

(15 pages)

If you are only washing, press the "Start" key
You can open it without touching it.

•The door and drum will become hot after drying.
please note.

as needed

•Reservation driving



(23 pages)

•Adjust the drying finish

(32 pages)

For pre-washing troublesome stains

Quick pre-wash cycle

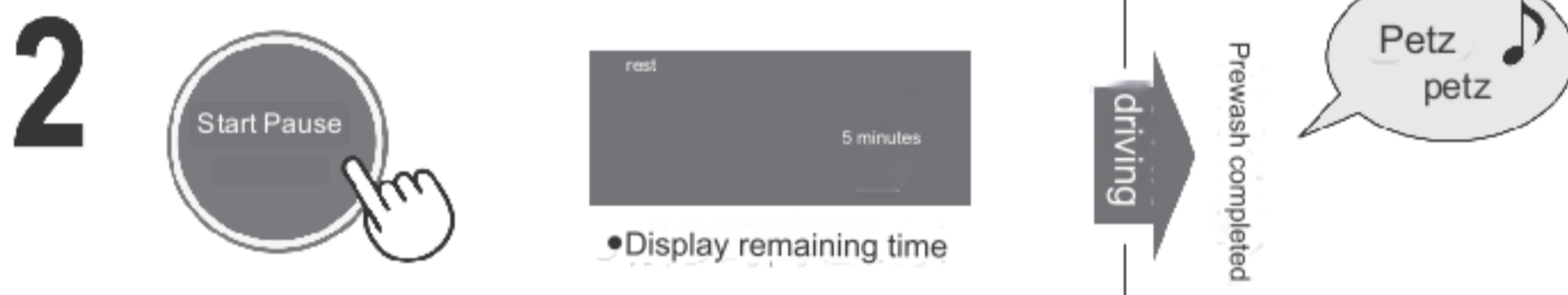
Maximum amount of laundry 2kg

For when you want to quickly pre-wash only the clothes that are dirty with mud, food, etc. before doing the laundry. Washes up to 2kg of clothes in about 5 minutes.
•Reservations cannot be used.



This is a cycle that rinses and spins the clothes. Apply detergent directly to areas that are particularly dirty. Do not put detergent in the detergent dispenser. If too much detergent is put in, a large amount of foam may be generated, causing water leakage when the door is opened.

- ① Open the water tap, put in the items you want to pre-wash, and close the door.
② Turn on the power and use the "Wash" key to select "Quick Pre-Wash."



After that, wash it with other laundry.
•Please loosen the laundry before washing.
•Wash as soon as possible. If you leave it for too long, it will be difficult to remove dirt.

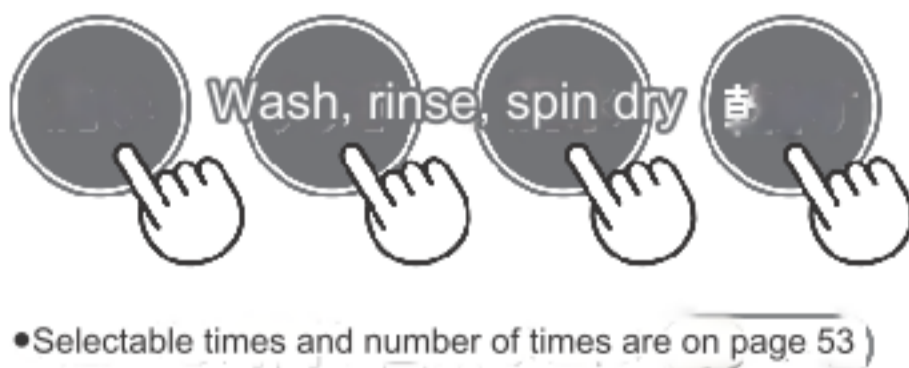
Set individual settings such as "Dehydrate only"

Select the time and number of times for "washing," "rinsing," "spinning," and "drying"

1. Turn on the water tap, put in the laundry, close the door, and turn on the power.



2. Select the key for the trip you want to drive.



Example: At times like this

- I only want to dehydrate → laundry → dehydration
- I only want to drain water → laundry → dehydration

• When you select "Drain only", when the drum starts to rotate Draining is complete. Turn off the power.

Rinse and dry

- The spin cycle during the "Wash-Dry" cycle will be automatically set to "-". (You cannot choose the dehydration time)
- When you start with "rinsing", first drain and spin-dry the clothes. This is then followed by the rinsing process.

Make a reservation

Reserve time until the end of driving

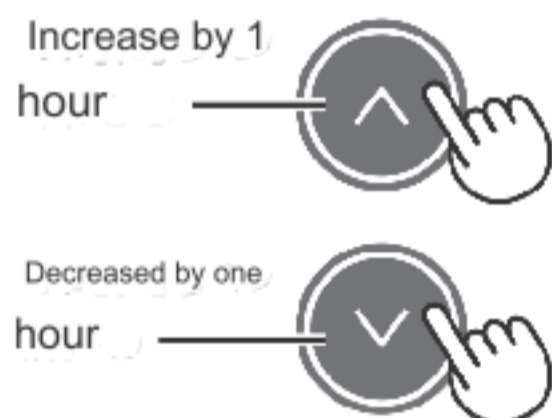
subject Courses: Standard, Home Style, Time Saving, Extreme Wash, Blanket, Indoor Drying

1 Open the tap, put in the laundry, close the door, and turn on the power.



•Set the course and other driving details as necessary.

2 Select the time until the operation ends



•You can select a time from 2 to 24 hours later in one-hour increments.

- Once you make a reservation, the time you selected last time will be displayed.
- Please set it longer than the required time. If it is too short, the operation will start immediately and may not finish within the reserved time.

53 pages

3 Start/Pause

Reservation completed

door lock

After the door is locked, the following will be displayed in order: "Estimated detergent amount," "Operation details for each step," and "Reservation time," and then the machine will enter reservation standby mode (the "Reservation" key will light up).

- Do not use powdered or liquid soap when scheduling a ride.
- The actual reservation time may vary depending on water supply and drainage conditions, uneven distribution of clothes, etc.

When you want to check the details of your reservation



•The display will show "Reservation time," "Estimated detergent amount," and "Operation details for each step" in that order, and then the machine will return to reservation standby mode.

If you want to change or cancel your reservation



- If you want to add laundry, turn off the power. The lock will be released and the door will be opened. (If necessary, set the timer again.)

Washing delicate clothes

Home cleaning course Wash and dry

Washing/drying amount upper limit of	laundry	drying
	2kg	0.5kg

Drying Estimated drying time for 0.5 kg: 60 minutes

- One sweater or swimsuit
- 1 stuffed toy
- One pair of sneakers

When washing, use a mild liquid detergent for delicates.
Do not use anything other than liquid, neutral detergent for delicates (such as gel ball detergent). [Causes of damage to clothing]
•Please use water at temperatures below 30°C. [Causes of shrinkage and deformation of animal fibers such as wool and silk]



Amount of liquid detergent and fabric softener used for delicates

(The amount of water for "washing" is about 30L)

Liquid mild detergent for delicates	Softener		
(Amount used per 30L of water as indicated on the container)			
40mL (Acron, Emar, etc.)	7mL (Funwari Soflan,)	10mL (ソフランアロマリ、 Flair Fragrance, etc.)	20mL (Humming, etc.)
40mL	9mL	12mL	20mL

Can be washed and dried

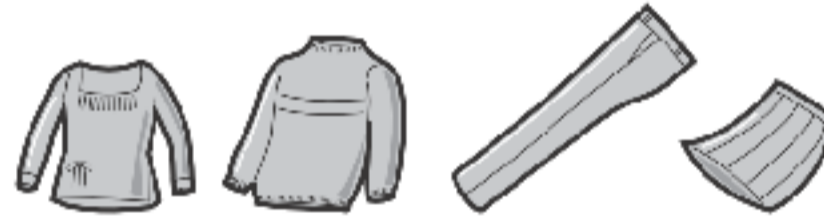
Things that can be washed

Those marked with

things that can be dried

PP or of display something

- Fashionable clothes and delicate clothing
- 例 (Example)
 - Sweaters made of wool, cashmere, etc.
 - blouse
 - skirt
 - Slacks etc.



Sneakers and stuffed toys can be dried but not washed.



Some items cannot be washed or dried even if they have the above symbols. Page 8 Items marked with the symbols, items made of heat-sensitive materials, or items with decorations cannot be dried.

After washing

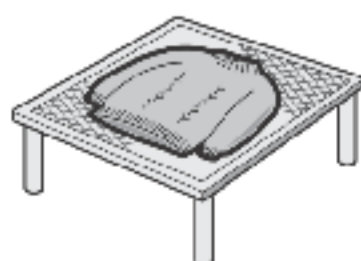
Dry on the home cleaning cycle

- Re-add the laundry and dry it. Page 25

Example of shaping and drying in the shade

sweater

- Put on a commercially available flat drying net.



blouse etc.

Things that don't stretch easily

- For hangers.



Long-haired

Shake and reshape before drying.

iron

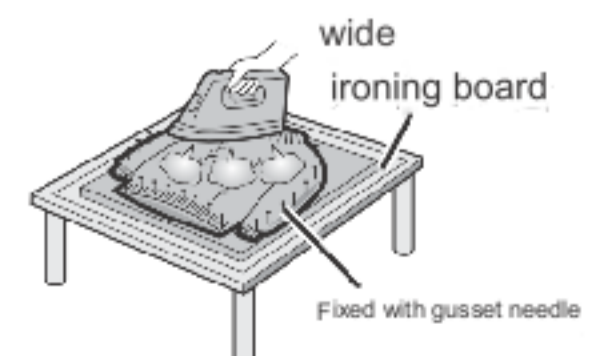


Using patch cloth

Follow the illustrated labels on the clothing. Use a pressing cloth for items that are prone to shining or have embroidery or beads.

If it shrinks, hold the iron above the garment and apply steam.

- Fibers that shrink easily (wool, linen, etc.)
- But to some extent We will make friends.



How to operate

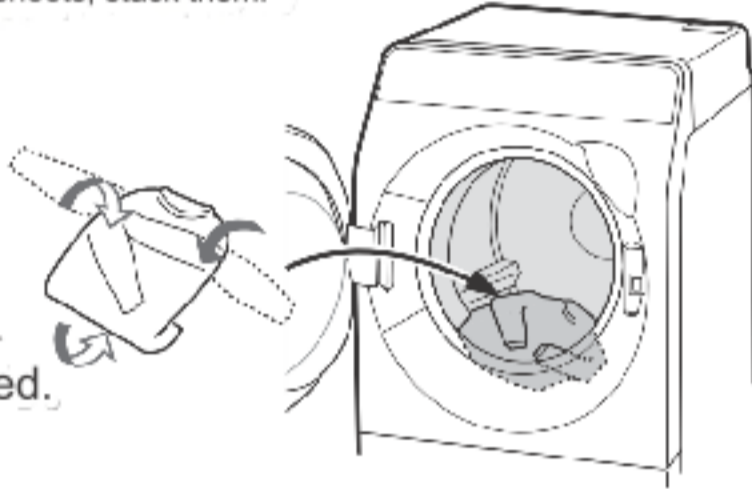
Check which clothes can be washed and dried, [page 24](#), place them in the drum and close the door.

preparation

laundry

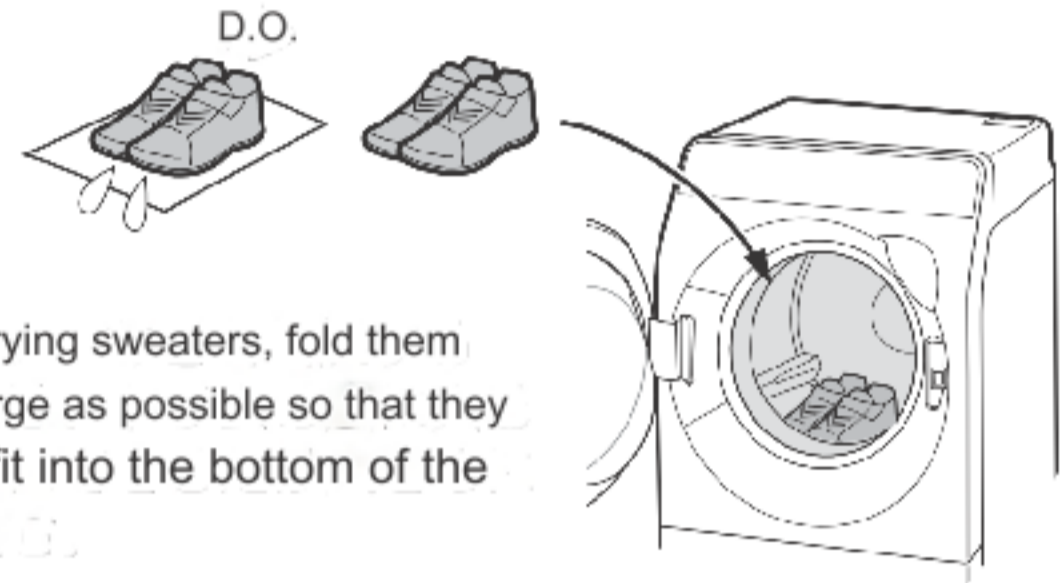
- ① Fold the sleeves as large as possible so that they fit into the bottom of the drum without overlapping.
- ② If there are two or more sheets, stack them.

- Sneakers and stuffed animals cannot be washed.



drying

Wash thoroughly and drain thoroughly.



When drying sweaters, fold them as large as possible so that they can fit into the bottom of the drum.

1

Open the water tap, turn on the power, and select "Home Cleaning" using the "Wash" or "Dry" key.



- The selected key will light up blue.

- "Reservation" cannot be used
- (The drying time is set to "60 minutes". You can change it. [Page 53](#))

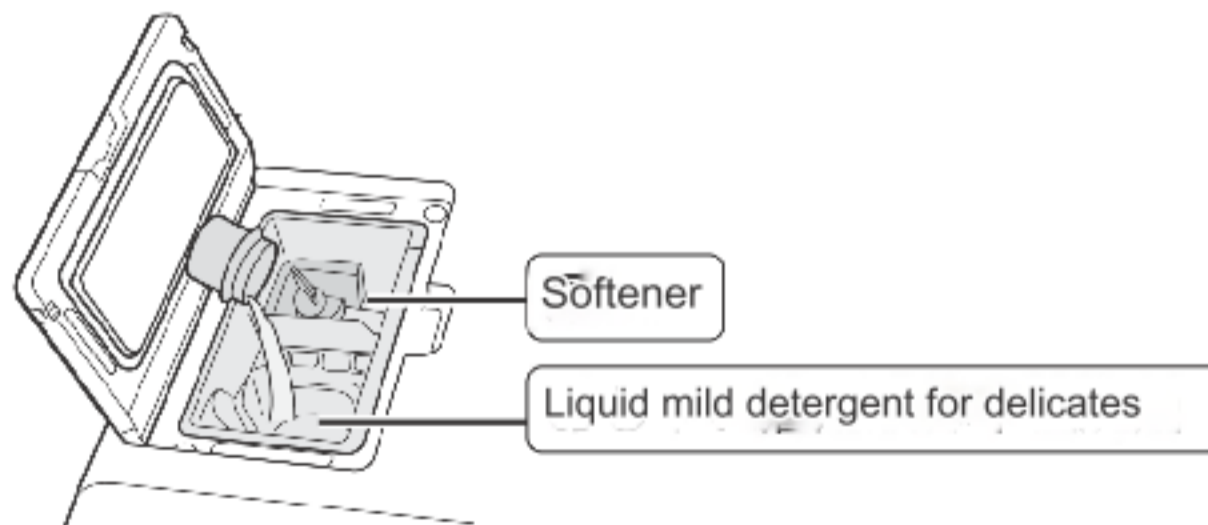
2



There is no laundry measurement.

laundry

Add liquid mild detergent for delicates [\(24 pages\)](#)



drying

- The drum does not rotate.



Open the door and take out the laundry



- Since the anti-wrinkle operation is not performed, there is no need to touch the "START" key when opening the door after drying.

After driving

Please remove the clothes immediately. If you leave them in the dryer, they may become wrinkled.
For drying instructions, see [page 24](#).

If any parts are not dry enough, fold them again or turn them upside down and allow them to dry further.



How to use

For large items such as blankets and carpet covers

Blanket course Washing Washing~Drying

"Things that can be washed and dried



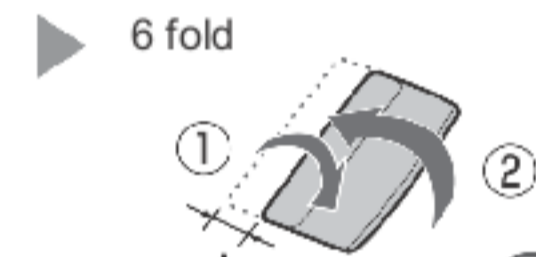
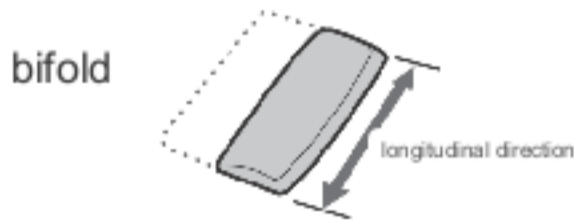
Or 40 marked items (Do not wash items without the mark or waterproof items) *

Some items with these markings cannot be washed in the blanket cycle. Page 8

	blanket		Comforter		carpet cover
	laundry	Washing ~ Drying Drying	laundry	Washing ~ Drying Drying	laundry
material	100% synthetic fibers (acrylic, etc.) 100% cotton	100% synthetic fibers (such as acrylic)	100% polyester, feathers	100% polyester	Carpet and water impermeable
size	Single/Double Single (Single is 150cm x 210cm)		Single/Double Single (Below, double is 180cm x 230cm or less)		Tufted weave: up to 2.5 tatami mats Meyer weave: up to 3 tatami mats
upper limit of weight	Approx. 4.7kg	Approximately 4kg	Filling: approx. 1.8kg, feathers: approx. 1.5kg	Filling: Approx. 1.1kg	

How to pack large, bulky items

Fold it into 4 to 6 pieces. 1.

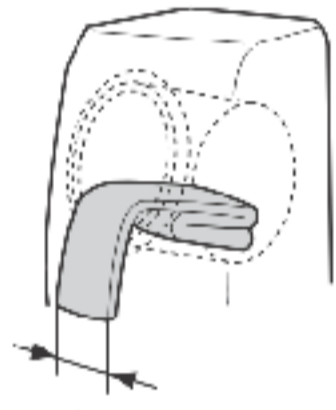


width
18~35cm

2

Place the product inside the drum, folding it like a folding screen from front to back.

•Be careful not to let the 6 folds come undone in the process.



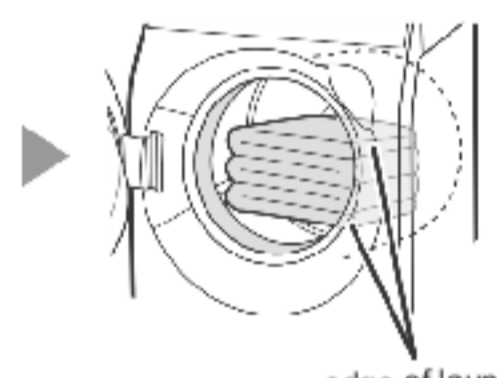
Front and rear folding The edge of the laundry is in the front and rear direction of the drum.

3

Rotate the paper 90 degrees inside the drum and fold it into left and right folding screen folds.



90° rotation



Fold the laundry so that the edge of the laundry faces the left and right of the drum.

•If it is protruding, reach your hand all the way in and smooth it out evenly.



•If the last fold is not complete, roll it up.

please

- Make sure that the inside does not become wrinkled or uneven.
- Do not fold or roll up the front and back screens. Also, do not put in the machine twisted or rolled up. [Cause of uneven alignment, increased vibration during spin-drying, and "E04" error]

Be sure to use the washing cap

- When using the blanket course.
- Even with normal washing, if the amount of laundry is large, it may overflow from the balancer. When you feel like you're going to give up. Page 9
- Stiff objects that do not deform even when they absorb water (such as judo uniforms). We recommend using a laundry cap.
- When curtains or sheets are about to protrude from the balancer. • When the laundry load is small but contains a high proportion of synthetic fibers and is about to protrude from the balancer.
- School uniform jackets that are labeled "washable."

How to use the washing cap (sold separately)

How to install

1

After putting in the laundry, put the clothes in from top to bottom. (There is no distinction between front and back.)

2

Check that the washing cap is evenly inserted (not lopsided or twisted) and that it moves smoothly by turning it by hand. (It rotates with the drum during operation.) [Causes of abnormal noise and damage to laundry]

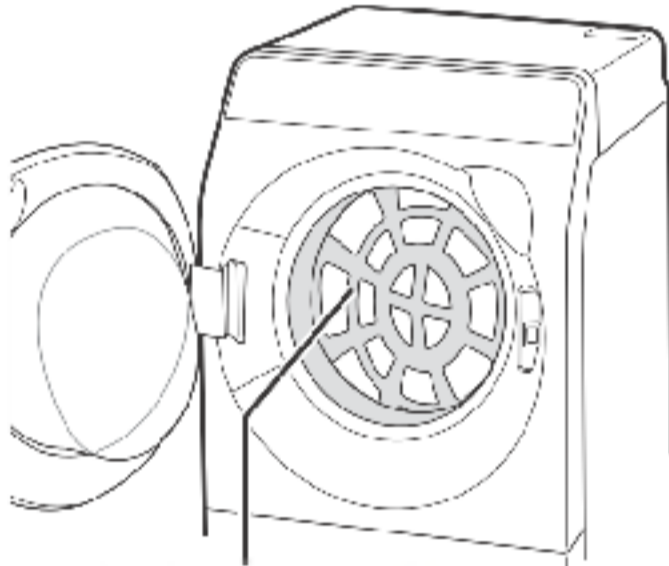
- Please be sure to use the washing cap sold separately.
(Never use a blanket washing net [The net will shift during spin-drying, causing strange noises and vibrations].)
- Always wash blankets and comforters alone.
- Please remove any stains or other localized dirt before putting the item into the drum.



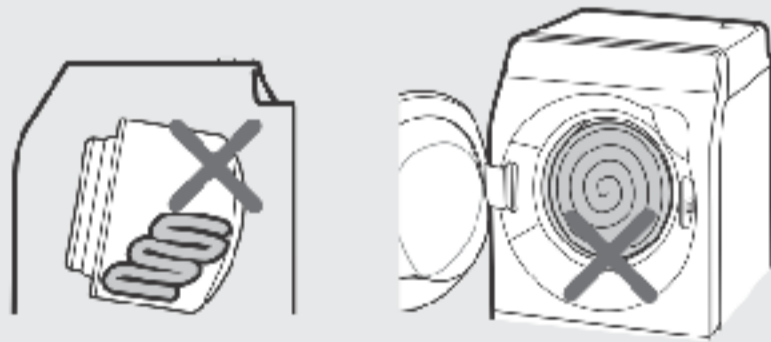
How to operate

	Mats, bath mats, etc.
Washing ~ drying drying	Washing/Washing~Drying drying
Those without rubber on the back are not allowed.	
Up to 2 tatami	Approximately 2kg

- 4** Attach the washing cap (sold separately).
• Set the center so that it is in the center of the feed opening.

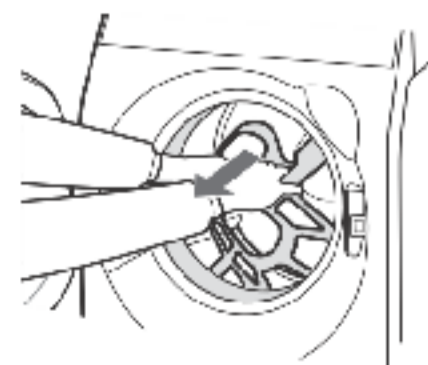


Washing cap (sold separately)



How to remove it

Pull out the top part, then slowly pull the whole thing out.



- 1** ① Open the water tap and put in the laundry. ② Attach the washing cap (sold separately). ③ Close the door and turn the power on.

Power on/off



- 2.** Select "Blanket" with the desired operation mode switch key. Operation

mode switch key

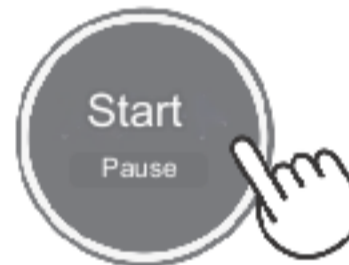


blue light on

blanket

- The selected key will light up blue.

- 3** Laundry washing~drying



Measure the amount of laundry.

When you start, the blanket course will be memorized. The next time you turn it on, it will display "Blanket".

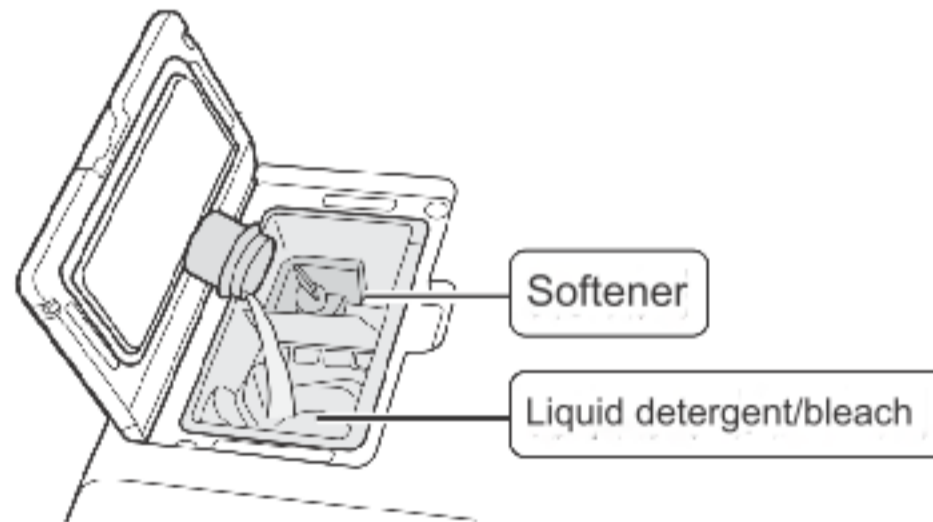
- 3** Drying



- Weighs the amount of dry laundry and displays the estimated drying time after about 7 minutes

- It does not remember the "dryness".

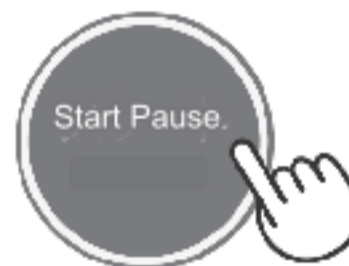
- 4** Add liquid detergent according to the detergent amount guideline. Page 11, 12



driving

Operation completed

Petz petz



- If you are only doing laundry, you can open the door without touching the "Start" key.

Open the door and take out the laundry

- You can use "reservation". Page 23

If the item is still not dry, fold it the other way around. Please dry additionally.

Blanket Example 60.

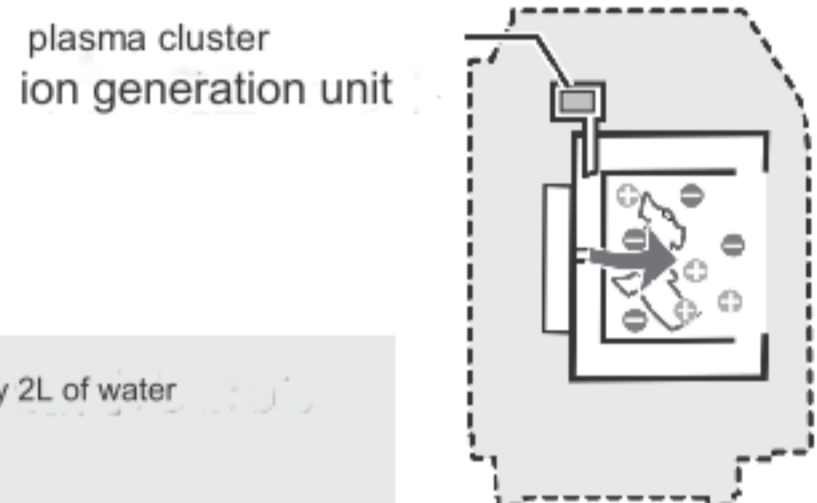


Plasmacluster disinfects and deodorizes clothes

Disinfection and deodorization course The drum does not rotate.

For when you want to disinfect and deodorize without washing with water. It can also disinfect and deodorize boots. The "30 minutes" operation makes it easier to remove pollen from clothes.
 •Reservations cannot be used.

How sterilization and deodorization works



- The plasma cluster ions generated by the plasma cluster ion generator unit, blown air (warm air at approximately 50°C), and water quickly sterilize and deodorize.
- The odor removed by Plasmacluster ions is absorbed into the water stored in the main unit and then drained. • Approximately 2L of water is used for "5 minutes", approximately 4L for "10 minutes", and approximately 12L for "30 minutes".

○

something that can be driven

examples

- Towels, underwear, T-shirts, pajamas, sheets
- Duvets •Blanket Carpet covers •Mats
- Leather products •Silk products •Knit products • one piece
- Jackets, sneakers, slippers •Hat
- Bags, stuffed animals, boots, etc.

upper limit of weight	<div style="font-size: 24px; font-weight: bold;">3kg</div> <div style="border: 1px dashed black; padding: 5px; margin-top: 5px;"> <div style="border: 1px solid black; padding: 2px; margin-bottom: 5px;">Blankets, quilts, carpet covers, mats</div> <p style="font-size: 10px;">(Please follow the "Drying" table on pages 26 and 27.)</p> <div style="display: flex; align-items: center; margin-top: 10px;"> <div style="border: 1px solid black; padding: 2px; margin-right: 10px;">boots</div> <div style="text-align: center;"> <p>Height: 31cm or less</p> <p>Depth: 25cm or less</p> </div> <div style="margin-left: 10px;"> <p style="font-size: 8px;">31cm or less</p> <p style="font-size: 8px;">25cm or less</p> </div> </div> </div>					
driving time	<p>At times like this</p> <table border="1" style="width: 100%; border-collapse: collapse; margin-top: 5px;"> <tr> <td style="width: 30%; padding: 5px;">5 minutes (deodorizing)</td> <td rowspan="2" style="padding: 5px;">For quick disinfection and deodorization of thin clothing and small items</td> </tr> <tr> <td style="padding: 5px;">10 minutes (disinfection and deodorization)</td> </tr> <tr> <td style="padding: 5px;">30 minutes (disinfection and deodorization)</td> <td style="padding: 5px;"> <ul style="list-style-type: none"> • For disinfecting and deodorizing thick items, large items, and boots •When you want to thoroughly remove odors • When you want to remove pollen from clothes </td> </tr> </table>	5 minutes (deodorizing)	For quick disinfection and deodorization of thin clothing and small items	10 minutes (disinfection and deodorization)	30 minutes (disinfection and deodorization)	<ul style="list-style-type: none"> • For disinfecting and deodorizing thick items, large items, and boots •When you want to thoroughly remove odors • When you want to remove pollen from clothes
5 minutes (deodorizing)	For quick disinfection and deodorization of thin clothing and small items					
10 minutes (disinfection and deodorization)						
30 minutes (disinfection and deodorization)	<ul style="list-style-type: none"> • For disinfecting and deodorizing thick items, large items, and boots •When you want to thoroughly remove odors • When you want to remove pollen from clothes 					

✕

Examples of things that cannot be driven

examples

- Fur •Wet leather or silk products Metal products
- Japanese clothing and accessories, rubber and vinyl products
- Pets and other living things

How to operate

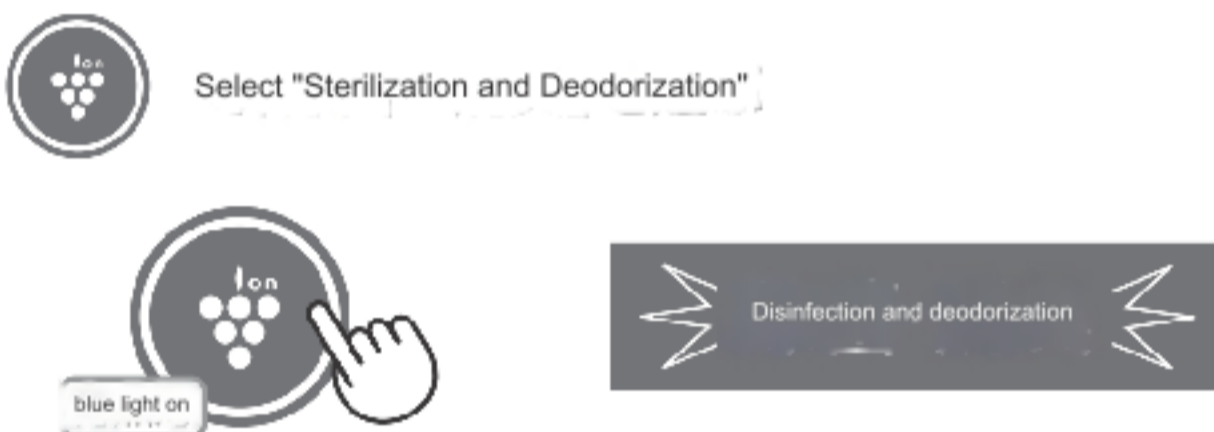
preparation

- Check what you can drive. [Page 28](#)
- Remove solid dirt such as lint, sand, and pet hair.
- If the inside of the drum or the inside of the door is wet, such as after washing, wipe it off with a dry cloth.

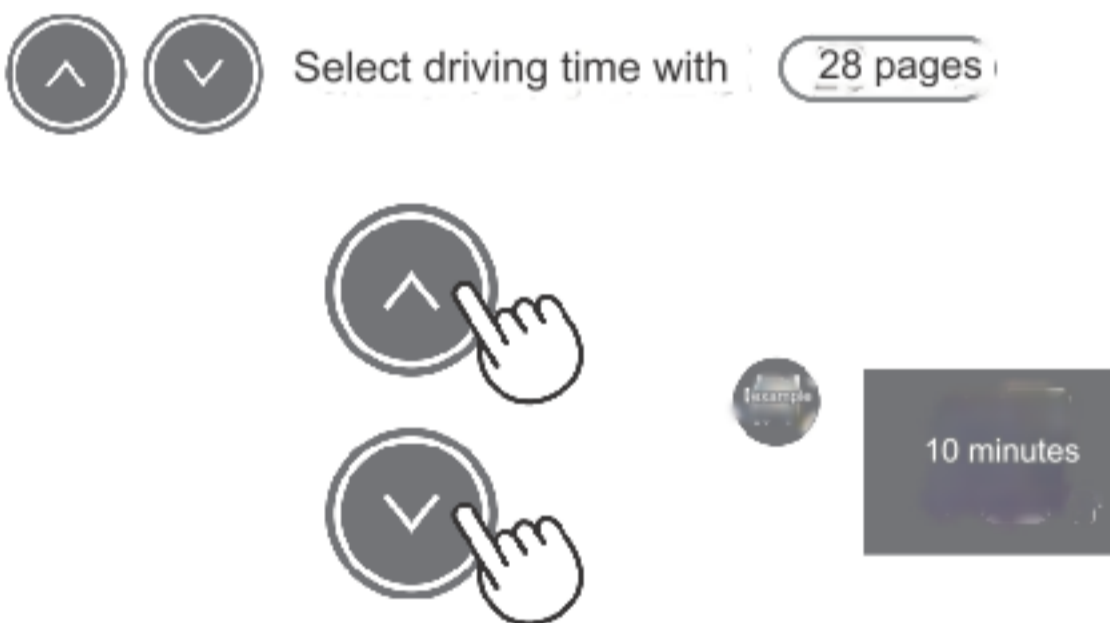
1 Open the tap, turn on the device you want to operate, close the door, and turn the power on.



2 Select "Sterilization and Deodorization"



3 Select driving time with [28 pages](#)



4 Start Pause

driving

Operation completed



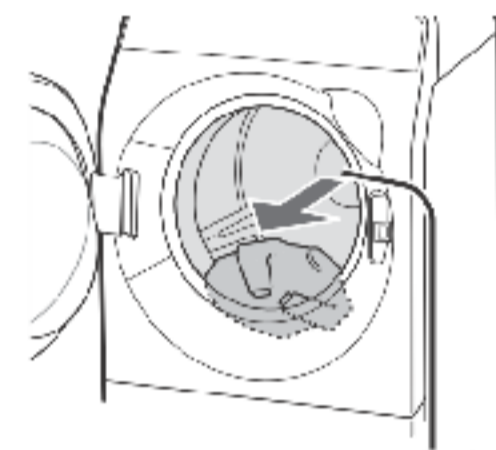
Take out what you drove right away

- During operation, Plasmacluster The ion lamp will flash.



How to put clothes in

Spread it out so that it fits at the bottom of the drum. If it overlaps, the effect may not be sufficient.



Hot air outlet

How to put on your boots

Fasten with clothespins

- Leaving the zipper open will help remove odors more easily.



Place the boot opening near the warm air outlet with the soles facing the door.

After running the pollen removal cycle, lightly shake off any pollen inside the drum before removing your clothes. After removing it, we recommend quickly rinsing any pollen inside the drum using the pre-wash cycle.

[22 pages](#)

How to use

Change settings

Settings that can be changed in "Settings mode"

	Settings that can be changed	At times like this	Key used to change
Useful features	1 Automatically clean the washing tub. (30 pages)	Use the water force during the final rinse to prevent dirt from building up on the outside of the drum.	wash
	2 Turn off the ending sound (page 31)	When you want to turn off the operation end sound and the notification sound during wrinkle prevention operation.	drying
	3. Stop eco-driving (31 pages)	When you want to prevent the sensor from detecting your clothing.	laundry
Rinse, spin-dry, and dry	4. Extend the final rinse time (31 Page)	Extend the rinse time by 5 minutes to allow more time for the fabric softener to absorb.	rinse
	5. Adjust the start-up time during dehydration (32 pages)	For when you feel the spin cycle is taking too long or when vibrations caused by spin cycles bother you.	dry (start)
	6 Adjust the drying finish (32 Page)	For when you want to adjust the automatic drying level to more thorough or more gentle.	dry
Initialization	7 Initialize (page 32)	When you want to reset all settings to the factory settings.	wash and dry
lock	Set child lock (10 pages)	For when you want to keep the door from opening at all times to prevent children from getting locked inside the drum.	child lock

Setting mode

To make any of the changes listed above, first set the device to "setting mode." (Displays the keys used to change settings.)

With the power turned off, press and hold the power switch until you hear a beep (about 4 seconds).

- When you hear a beep and the unit enters setting mode, release your finger from the power switch. If you don't let go, the power will be turned off.

[Setting-mode]



1 Automatically cleans the washing machine drum. During the final rinse, the water force from the high-speed rotation is used to washes away dirt from the outside and prevents black mold.

•Operating time will be approximately 2 minutes longer and water usage will be approximately 5L more.

Target course Standard* · Homemade: Drying clothes indoors

1 With the power turned off, press the power switch. Press and hold until you hear a beep. (about 4 seconds) Enter "setting mode"

3 Continue touching to change. Wash. Does not automatically clean ↔ Automatically clean

2 wash current Display settings OFF No automatic cleaning (default setting)

4 decide start pause Petes. The power is turned off after saving the setting.


* Testing organization: General Water Research Institute, Ltd. * Testing method: BlackNobi, a test cloth with bacteria attached, was used for measurement while the automatic cleaning was running after washing.




• Sterilization method: Automatic washing machine drum cleaning operation • Target part: Outer drum • Test result: More than 99% suppression by automatic washing machine drum cleaning operation

2 Turn off the ending sound

You can turn off the sound that indicates the end of operation and the sound that informs you when anti-wrinkle operation is in progress.

- 1 With the power turned off, press and hold the power switch until you hear a beep (approximately 4 seconds).
▶ Enter "Setting Mode" [page 30](#)

- 2  current Display settings  End sound will be played (default state)

- 3 Touch again to change   ↔  End sound sounds ↔ End sound does not sound

- 4 Decide   ▶ The power is turned off after saving the setting.

3. Stop eco-driving

You can stop the sensor from detecting clothing, etc.

- 1 With the power turned off, press and hold the power switch until you hear a beep (approximately 4 seconds).
▶ Enter "Setting Mode" [page 30](#)

- 2  current Display the settings  Eco driving (default setting)



- 3 Touch again to change   ↔  drive eco-friendly ↔ Don't drive eco-friendly

- 4 Decide   ▶ The power is turned off after saving the setting.

4. Extend the final rinse time

Extend the rinse time by 5 minutes to allow the fabric softener more time to absorb.

- 1 With the power turned off, press and hold the power switch until you hear a beep (approximately 4 seconds).
▶ Enter "Setting Mode" [page 30](#)

- 2  current Display settings  Do not extend (default state)

- 3 Touch again to change   ↔  not extended ↔ extend

- 4 Decide   ▶ The power is turned off after saving the setting.

Change settings

5. Adjust the start-up time during dehydration



You can adjust it to reduce vibration during spin-drying or to make it stand up smoothly.

standard	Normal dehydration (no change)
Smooth:	Quickly starts the spin cycle (vibration may increase) Low vibration:
	Reduces vibration during spin cycle and starts up slowly (spin cycle time may increase)

Target Standard / Home Style / Course Ultimate Wash / Room Drying

1 With the power turned off, press and hold the power switch until you hear a beep (approximately 4 seconds).
▶ Enter "Setting Mode" [page 30](#)

3 Touch again to change


2  current Display settings  Standard (initial state)

4 Decide   The power is turned off after saving the setting.

6 Adjust the drying finish

The automatic drying level can be adjusted to "thorough" or "moderate."

standard	Normal drying (no change)
Thorough	When you want to dry thick items thoroughly (drying time will be longer)
Moderate	When you want to reduce wrinkles (time is a little shorter, so some dryness may remain or dry unevenly)

Target Standard, Home Style, and Course Ultimate Wash

1 With the power turned off, press and hold the power switch until you hear a beep (approximately 4 seconds).
▶ Enter "setting mode" [30 pages](#)

3 Touch again to change


2  current Display settings  Standard (initial state)



4 Decide   The power is turned off after saving the setting.

7 Initialize

You can reset the unit to its factory settings.

1 With the power turned off, The switch beeps Press and hold (for about 4 seconds)
▶ Enter "Setting Mode" [page 30](#)

2 

3   The power is turned off after initialization

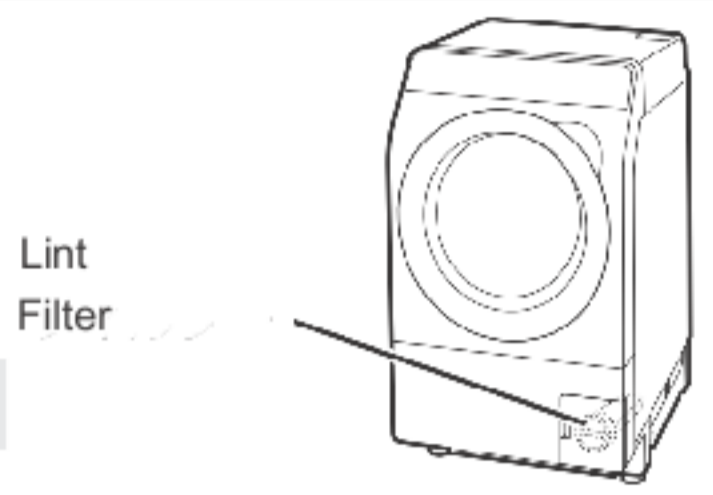
take care of

caution Do not pour water over any part of the unit. (This may cause a short circuit or electric shock.)

Lint filter [Every 1 to 2 weeks/When "UF" or "E03" is displayed]

•Prevention of freezing In the case of 35 beige etc., drain the water from here.

- preparation**
- 1) Turn off the water tap and close the door securely.
 - 2) Prepare a water receptacle such as a washbasin.
 - 3) Drain the water as a large amount of residual water may remain. (See page 22 for how to drain the water.)

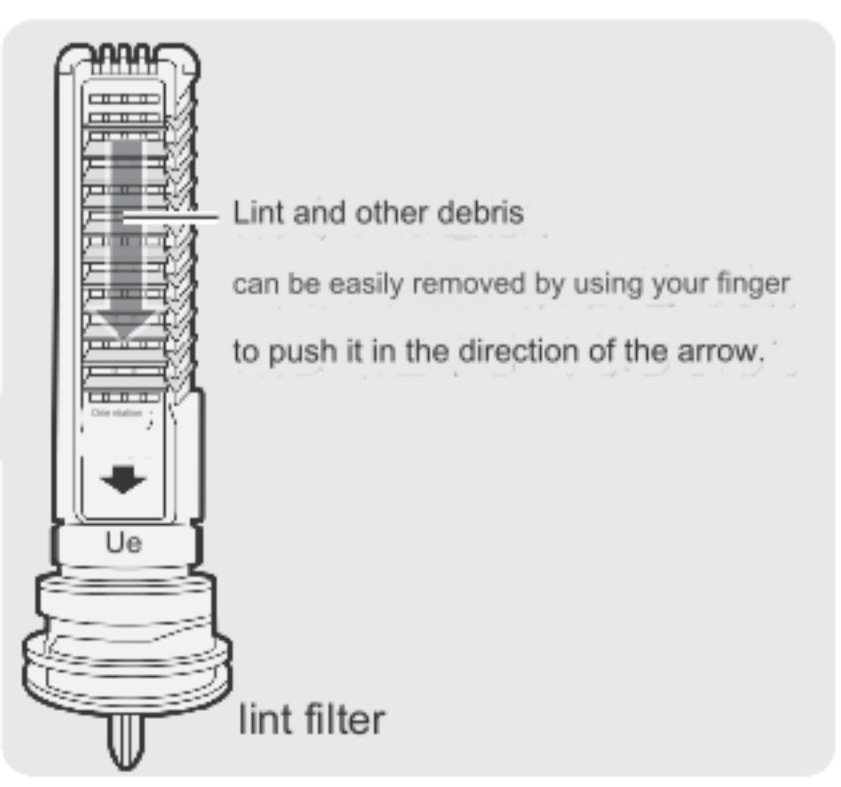


How to remove it

- 1** Open the cover
 - Do not open the cover forcefully. [Cause of damage]
- 2** Loosen the knob little by little to let the water flow.
- 3** When water stops coming out, pull out the lint filter.
- 4** Remove any lint or foreign objects from the lint filter.
 - Pinch off any lint or foreign objects from the inside and outside of the lint filter.
 - Remove any lint or foreign matter from the packing, threads, or main body. [If any foreign matter remains, it may cause water leakage.]

How to install

- 1** Insert the lint filter securely until it touches the back.
- 2** Turn the knob and tighten it securely until it stops. [Insufficient tightening can cause water leakage]
- 3** Close the cover as it was. Do not force the cover closed. [Cause of damage]



- If "UF" or "E03" is displayed, the lint filter may be clogged.
- When cleaning, a large amount of residual water may come out, so be sure to prepare a washbasin or similar.
- Be sure to install the lint filter correctly. If the lint filter is not inserted or is loose, water may leak or the unit may display "E31" and not operate. Page 54

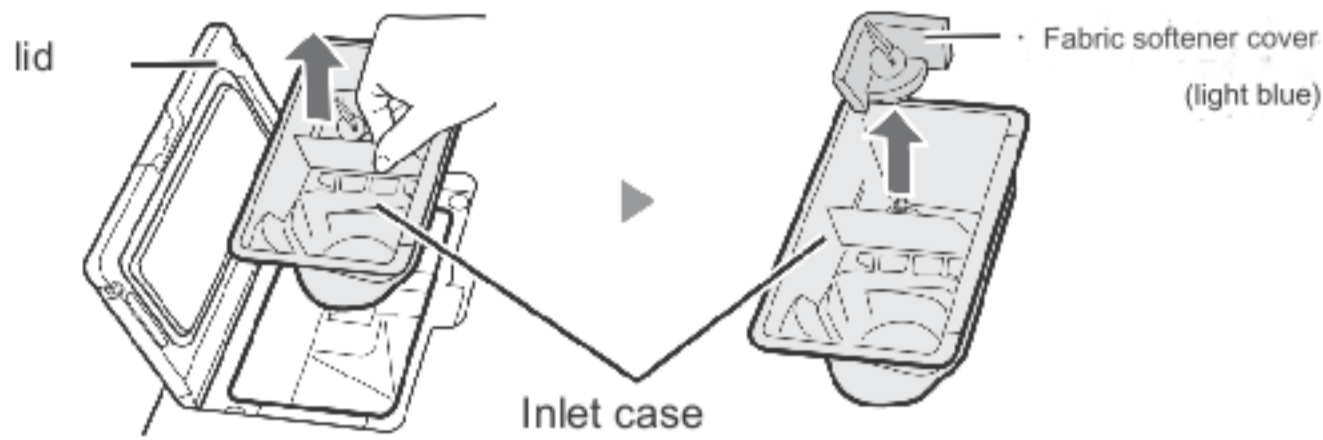
when needed

take care of

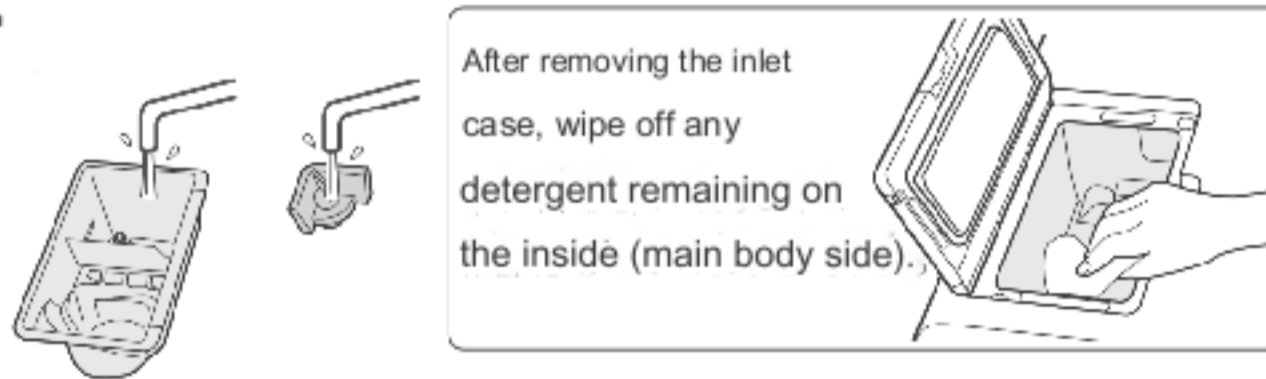
Detergent dispenser [every time you wash]

Remove the feed case, wash it with water, and wipe off any moisture.

- 1 Open the lid, remove the input case, and remove the fabric softener cover (light blue).



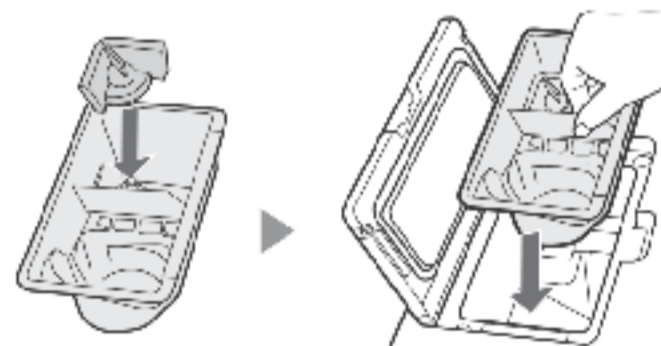
- 2 Wash with water.



After removing the inlet case, wipe off any detergent remaining on the inside (main body side).

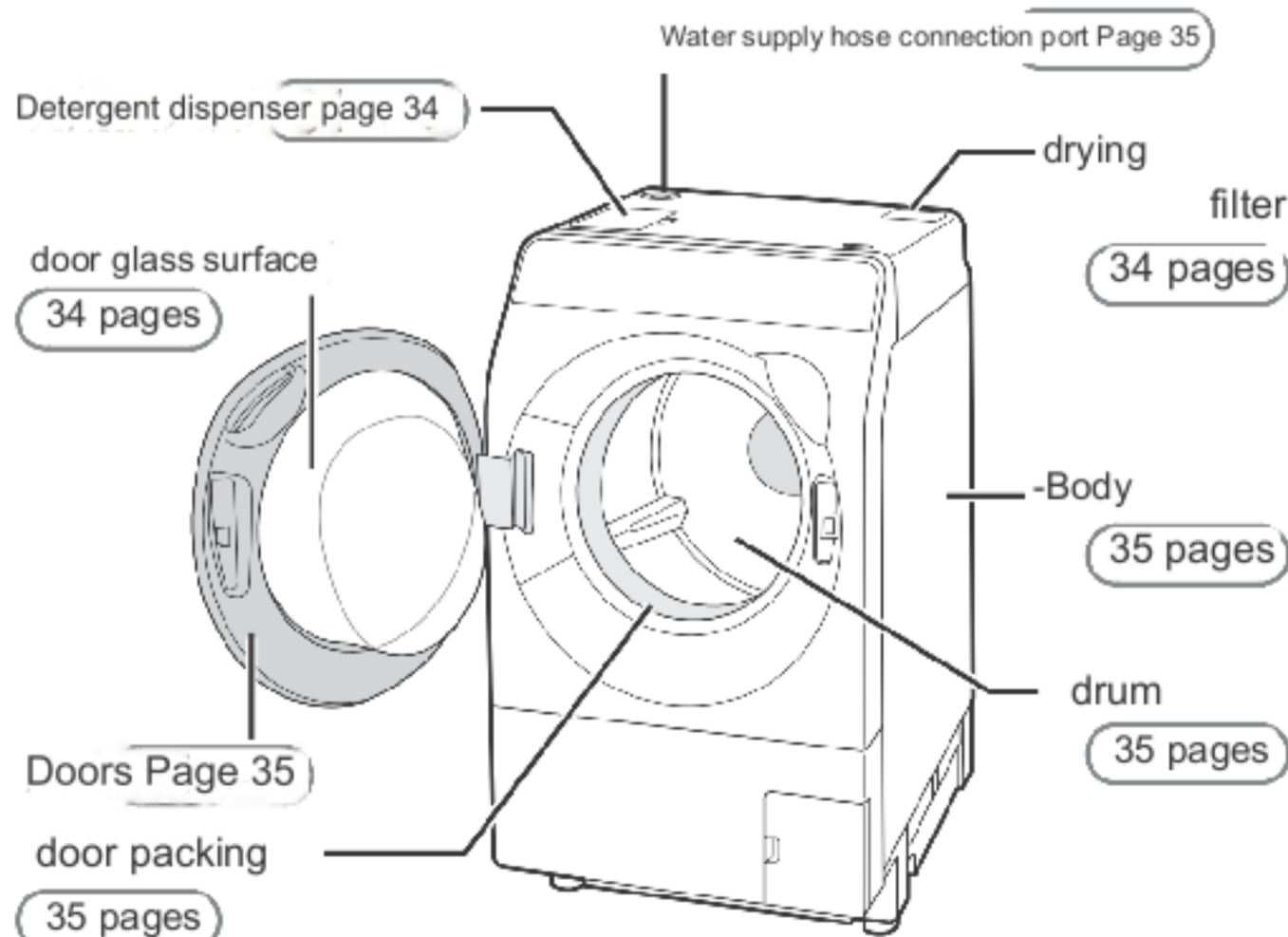
- 3 Reinstall the feed inlet case and fabric softener cover and close the lid.

Push it all the way in to make sure it is securely attached.



After cleaning, be sure to attach the dispenser case and fabric softener cover (light blue). [Causes of malfunction and water leakage]

- Do not continue to use the product without cleaning it. (This can cause mold, odor, dirt, and water leaks.)

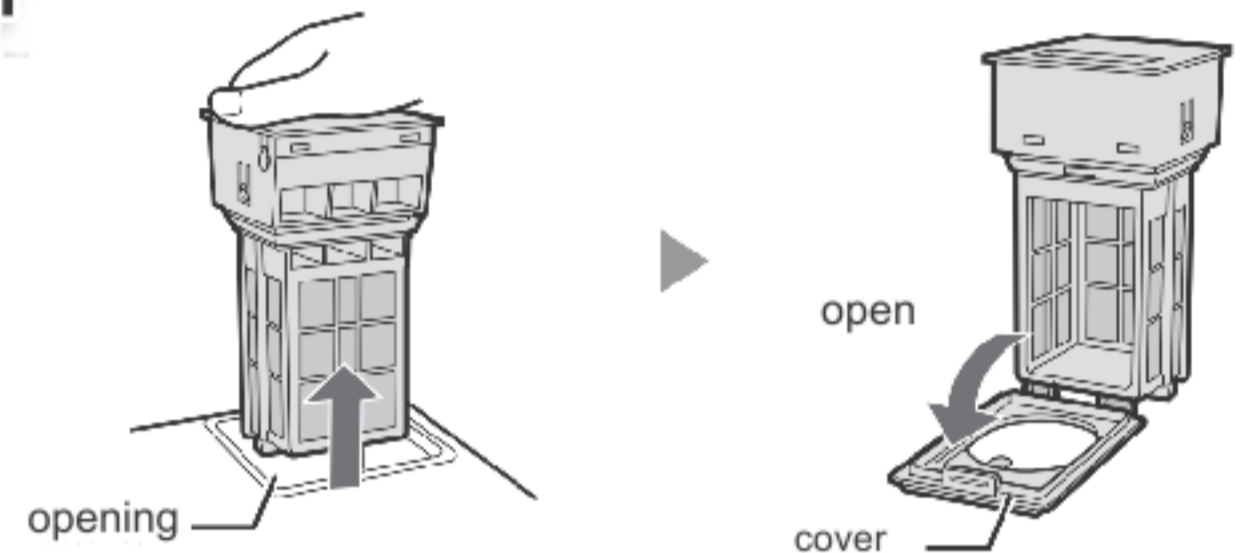


dry filter

[Every time you dry/When "U04" is displayed]

Remove it, wash it in the shower, and wipe off the water. If the drying filter becomes clogged, it will cause the drying time to increase and the drying to be uneven. Be sure to clean it.

- 1 Pull up to remove and open the cover



- 2 Rinse the outside of the mesh part with a shower and wipe off the water with a dry cloth.



- To remove stubborn stains, use a sponge and neutral kitchen detergent.

- 3 Reinstall.

- If you select the drying time or "Adjust the drying finish / Moderate" (page 32), or if the temperature is low, the drying filter and the surrounding area may be wet after drying. Wipe them with a dry cloth. Wipe it off.

When removing the drying filter, be careful not to drop anything into the opening of the main unit. [Cause of injury, damage to the main unit, or malfunction] opening in the device, the device will not be covered under the warranty. If an object is dropped into an

Door glass surface [every time you use it]

Wipe with a soft cloth dampened with water, then wipe dry.

- Do not use cleansers, thinners, benzene, alcohol, kerosene, chemical cloths, chemicals, glass cleaners, etc. (Causes rust and damage)

- Be sure to reinstall any parts that you have removed. [This may cause damage to laundry or the product, or cause malfunctions]
- Filters are consumables, so if they break, please replace them at the store where you purchased the product.



Do not splash water on any part of the unit.
[Causes of short circuits and electric shock]

Drum (stainless steel tank) [When dirty]

Wipe with a soft cloth dampened with water

Remove the clothes immediately after washing is complete.

- If you notice rust, wipe it off with commercially available stainless steel (kitchen) detergent.
- If you are concerned about dirt, odor, or mold, please use the tub cleaning course. Pages 36 and 37

Main unit/door [When dirty]

Wipe with a soft cloth dampened with water

Do not use cleansers, thinners, benzene, alcohol, kerosene, chemical cleaning cloths, etc. [Causes of damage and cracking of plastic parts, etc.]

If dirt is a concern, use a diluted neutral kitchen detergent. If you use detergent, wipe with water as a finishing touch.

If liquid detergent, fabric softener, bleach or washing machine drum cleaner gets on the main unit, door or controls, immediately wipe it off with a damp cloth.

[If left unattended, it may cause discoloration or damage to the plastic parts and corrosion of the metal parts.] • If the operation panel is dirty, the touch keys may not respond well. Wipe it clean with a soft, dry cloth.

Door gasket [If lint or debris gets stuck]

Remove the door gasket,
Remove debris from drainage holes

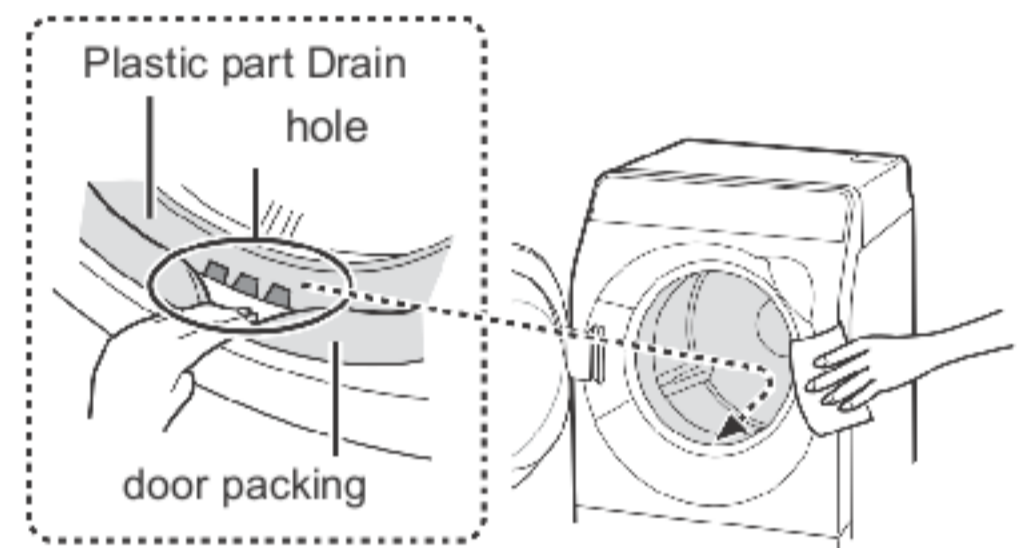
[Gas accumulates in the hole, causing water leakage]

- Check it about once every 2 to 3 weeks, depending on the laundry.

• The glass surface inside the door, the front and back of the door gasket, and the plastic Be sure to also remove any lint or debris from the stick.
[Causes of water leaking or sticking to clothing during operation]

If there is any slime, soak the item in oxygen bleach.

Wipe the entire surface with a damp cloth, then wipe with water (be careful not to scratch the surface as it is soft).



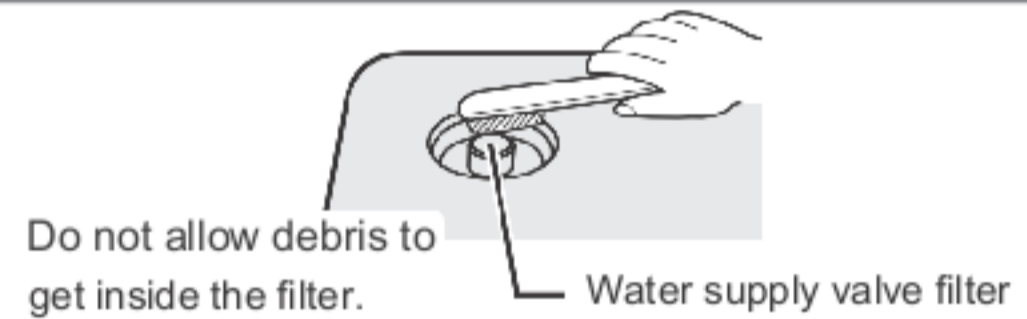
Water supply hose connection port [If water flow becomes poor]

Remove the water supply hose and remove any debris using a toothbrush or similar.

- How to remove the water supply hose is on page 45.

When reconnecting the water supply hose after maintenance, etc., be careful not to leak water.

To prevent this, be sure to connect the cables securely, as described on pages 44 and 45.



Do not allow debris to get inside the filter.

- Water supply valve filter Please be sure to install it.

- Debris may get into the water supply valve and cause it to malfunction. Yes. It may tear or become dirty. If this happens, use the separately sold water supply valve filter.

Please purchase a tar.

Remove the filter using needle-nose pliers, etc. When installing, be sure to push it all the way in.

[If not installed securely, it may cause the water supply valve to malfunction]

To prevent freezing, do not install in locations where it may freeze.

- 1) Turn off the water tap, remove the water supply hose, and drain the water from inside the hose. (See page 45 for how to remove the water supply hose.)
- 2) Drain the water from inside the drum in the same way as you would clean a lint filter.

33 pages

One point advice

When it freezes

- About 40°C hot water Put it in and leave it for about 10 minutes. Leave it alone.



• Wrap the faucet and connections in a steamed towel.

2-3L of about 40°C

- The water supply hose is heated to approximately 40°C. Soak in hot water.

"UF" drain outlet 004" or "03" is displayed

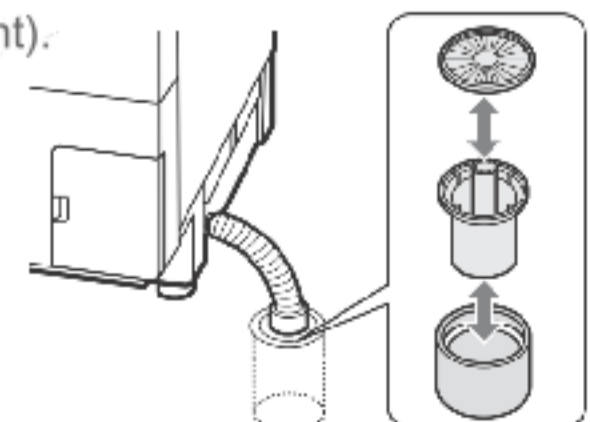
remove and clean

[Accumulation of lint can cause odors and water leaks]

When removing the hose from the drain, use a cloth or similar item to hold it in place. It may happen.

It may happen.

- ① Remove the hose from the drain
- ② Remove the parts from the top and wash them with water (remove any lint).
- ③ Return to original state



when needed

clean the drum

Tank clean course

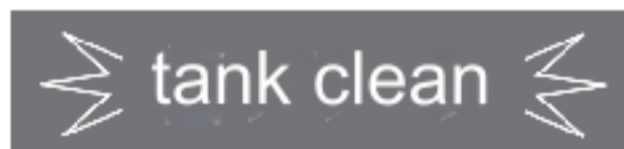
After rinsing away dirt from the inside and outside of the drum with clean water, plasma-cluster ions are released into the drum and inside the unit to prevent the growth of mold on the drum.

- Do not put laundry or detergent in the machine.
- Operating time is approximately 70 minutes and water usage is approximately 5L.
- Reservations cannot be used.

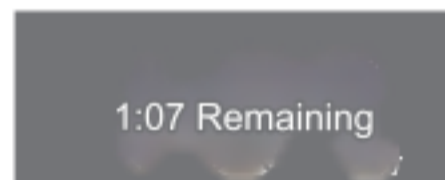
1. Open the tap, close the door, and turn on the power




2. Select "Cylinder Clean" with 



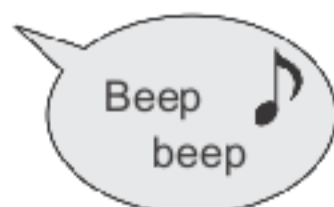
3.  start/pause



- After starting, it may not start immediately.
Example: When there is water remaining in the drum (start after draining)
- The Plasmacluster ion lamp will flash while Plasmacluster ions are being released. 
- The operating time cannot be changed.
- Can be paused.
- If you want to stop midway, turn off the power.

driving

Tank clean completed



Tank cleaning course

Please use this when you notice dirt or odor in the drum.
In addition, when washing and drying or drying is performed, lint may accumulate inside the machine, gradually reducing the drying capacity. We recommend that you use the tub cleaning course (wash: 2 hours) about once a month to remove lint.

- Reservations cannot be used.

(Washing: Drum rotation and soaking)

(Drying): Dry the inside of the drum (about 1 hour)

please

- Ensure adequate ventilation while operating the unit.
- Do not use any product other than washing machine drum cleaner.
Since this is a cycle designed specifically for cleaning the tub, using laundry detergent or kitchen bleach may cause the detergent to foam up and overflow, resulting in water leakage.
- Use our optional washing machine drum cleaner (ES-CD: Chlorine-based, back cover) or a commercially available chlorine-based drum cleaner. Oxygen-based cleaners produce a lot of bubbles and may cause breakdowns. When using a commercially available cleaner, follow the instructions on the container.
- After the drying operation, the door and inside of the drum may become hot. Please be careful.

Washing machine cleaning service is also available.



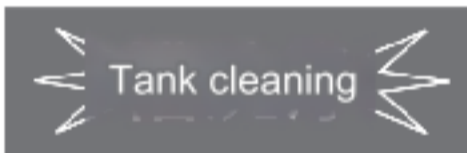
At times like this	washing tub cleaner	Washing time	Time required
For everyday simple maintenance (about once a week)	don't put anything	No washing	washing <small>Approximately 10 minutes</small> (Washing to drying takes about 1 hour and 10 minutes)
To prevent dirt, mold, and reduced drying ability (about once a month)	Commercially available washing machine cleaner (chlorine-based) - Follow the instructions on the label for dosage etc.	2H (2 hours)	washing <small>Approximately 2 hours and 30 minutes</small> [Washing to drying time: approx. 3 hours 30 minutes]
When dirt, odor, or mold is severe or noticeable (about once every 2-3 months)	Sold separately: Washing machine drum cleaner (chlorine-based) back cover	8H(8 hours)	washing <small>Approximately 8 hours and 30 minutes</small> [Washing ~ drying] <small>Approximately 9 hours and 30 minutes</small>

1. Open the tap, close the door, and turn on the power.

Power on/off



2. Use the "Wash" or "Wash-Dry" key to select "Tub Cleaning".



•The selected key will light up blue.

3. Choose the washing time



84.2.-.60 min



•You cannot choose anything other than the "wash (clean)" time.

4. Pour the washing machine cleaner directly into the drum



•When selecting "no wash", do not add anything.

5



driving

6

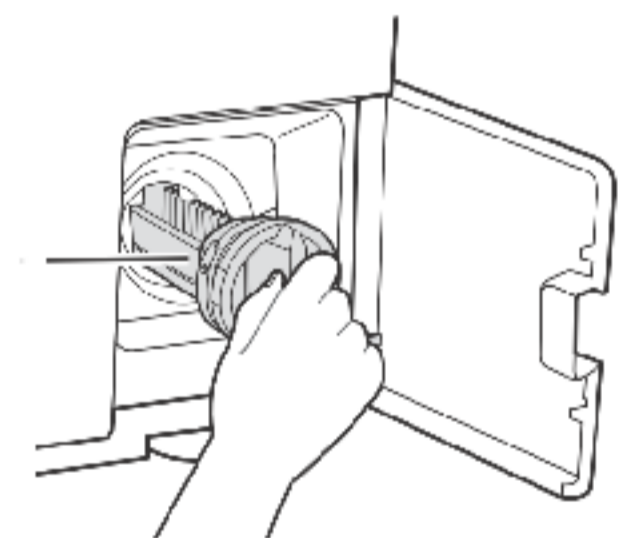
Operation completed

Pete's
Pete's

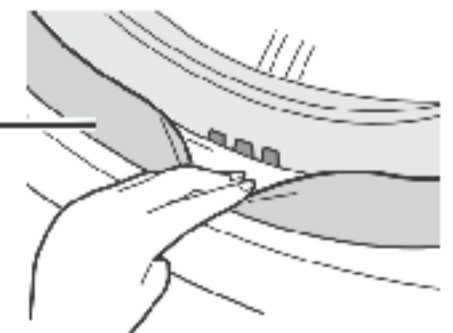
Lint filter and door gasket
remove trash

Pages 33 and 35

Lint
Filter



door packing



when needed

How to install

How to carry it

Carry by two or more people

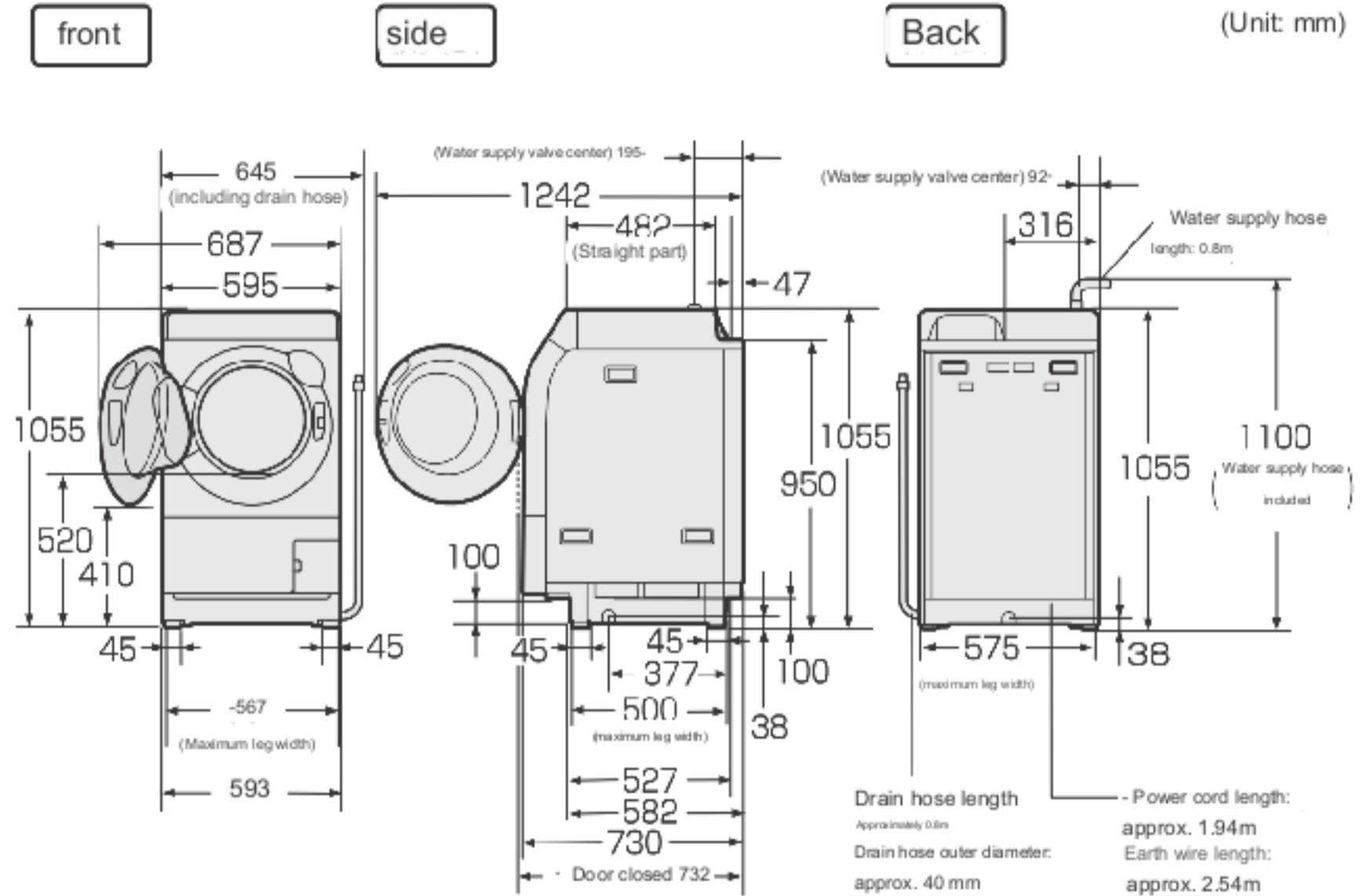


When moving

- Attach the fixing screws for transportation.
[Causes of damage to the outer tank]
- Secure the door with tape.
[Causes of doors opening and damaging walls, etc.]
- Please be careful not to scratch the floor.

Dimension drawing

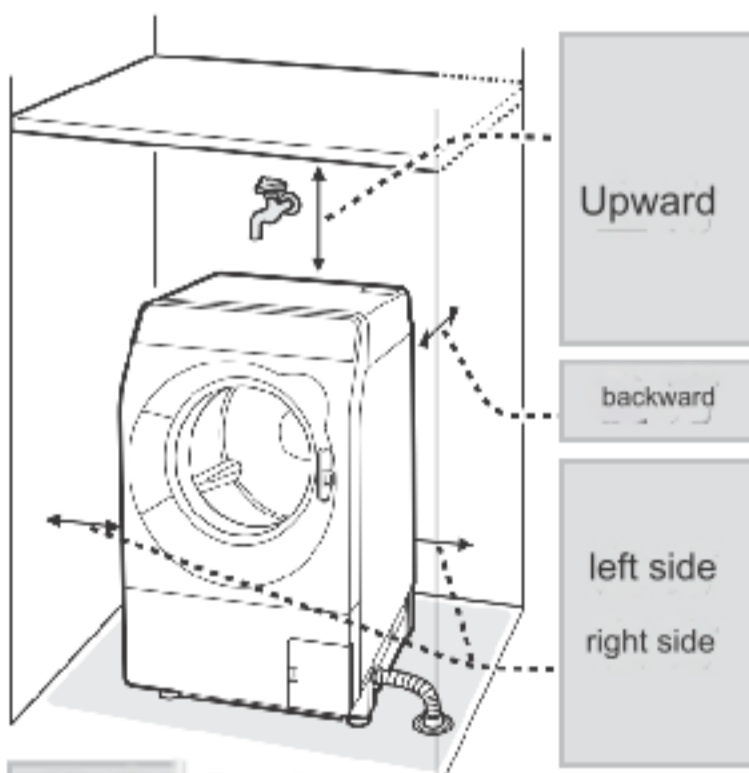
The illustration shows a left-hand door. For a right-hand door, the door opens in the opposite direction and the door handle is in the opposite position.



Check the installation location

Warning

Do not place in humid places such as bathrooms or in places exposed to wind and rain. [This may cause fire or breakdown due to electric shock or electrical leakage.]



Open.

When installing shelves, leave a space of at least 20 cm to allow for cleaning of the drying filter.
(You need at least 12cm to open the detergent dispenser lid.)

Upward

backward

left side

right side

Keep at least 1cm away from the wall.

Keep at least 1cm away from the wall.

- Keep the drain hose at least 9cm away from the wall.

If the drain is directly under the unit, it must be at least 1 cm away from the wall.

(Additional space may be required depending on how the hose is routed. See page 42.)

Open the front.

•Keep away from water faucets.

"Fire Service Act Installation Standards" based on

It complies with the test standards.

Combustible materials in buildings etc. from

The separation distance is as shown in the table below.

More distance is required.

Fire Service Act Standards Compliant Built-in Type	
Location Distance (cm)	
Upward	20
forward	open
Left/Right/Rear	1
downward	0

Do not place in the following locations:

- Locations where there is a risk of freezing [Failure due to freezing of residual water]
 - Places exposed to direct sunlight [UV rays can damage plastic, causing deformation or malfunction]
- On slippery floors such as tiles, balconies or weak floors, uneven surfaces, or carpets. [Causes of increased vibration and noise and damage to floors]
- Unstable surfaces such as blocks, bricks, lumber, or tables with casters. [This may cause vibrations, noise, or injury if the unit falls over.]



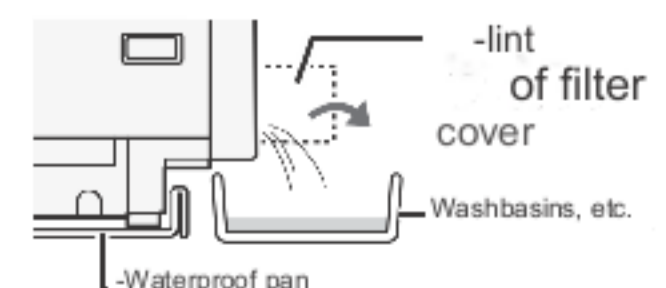
Radio, TV, etc. can be turned off from the main unit.

Keep as far away as possible (approximately 3m or more)

[Causes of noise and image distortion]

If you install it in a waterproof pan, you can move forward only

•The water tray is easy to place.





Always unplug the power cord from the outlet (do not plug or unplug with wet hands) [Cause of electric shock or injury]

Do not install the product yourself, but ask your dealer or an installer to do it for you. If an accident or damage occurs due to failure to use the specified accessories or optional items, or failure to install, connect, or test run the product according to the instruction manual, the warranty will not apply.

For those installing

Please be sure to read "Installation Instructions" and install the product correctly. Before handing it over to the person who will use it, check that there are no problems.

Please check the included accessories on page 4 and then purchase the "Shipping screws".

Please return the "spanner for removing the transport fixing screws," "level," and any unused parts to the person who will use the product.

Be sure to remove the transport fixing screws before installation. [Failure to remove the screws may cause severe vibration and damage]

•How to remove it: [Page 43](#)

Check the faucet type and faucet location

side faucet



Be careful of scratches on the tip [Cause of water leakage]

Please use it after installing the faucet connector. [\(Page 44\)](#)

branch faucet



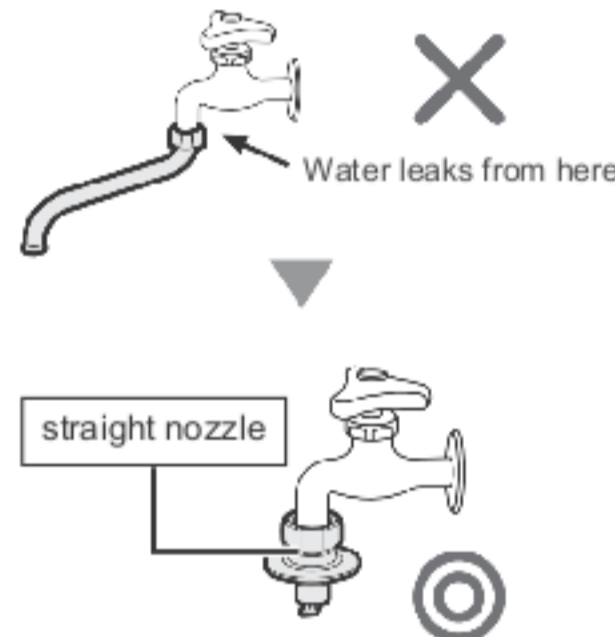
Can be used exclusively in washing machines.

•No faucet connection is required.

Please replace with a commercially available washing machine nipple (with auto stopper).

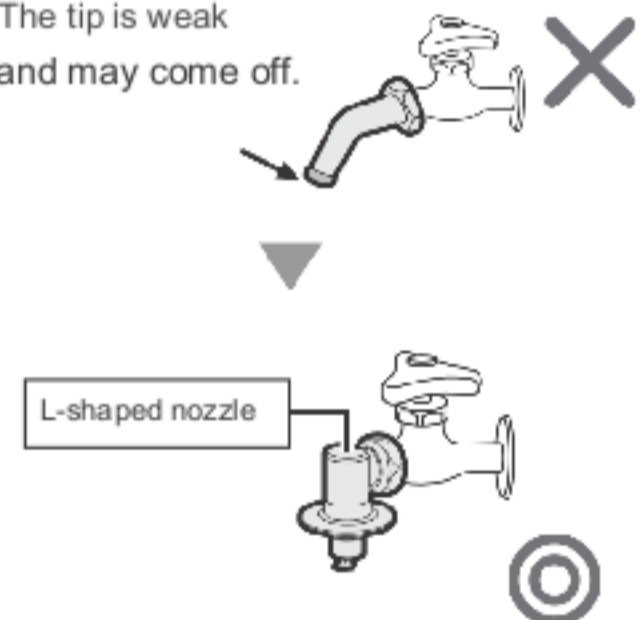
•No faucet connection is required.

adjustable faucet



All-purpose home faucet

The tip is weak and may come off.



suitable faucet

unsuitable faucet

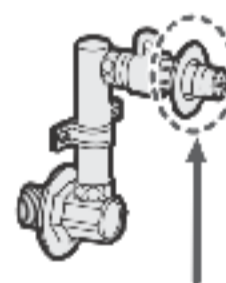
Faucet position

When installing against a wall, depending on the location of the faucet, it may be necessary to raise the connection position of the water supply hose.

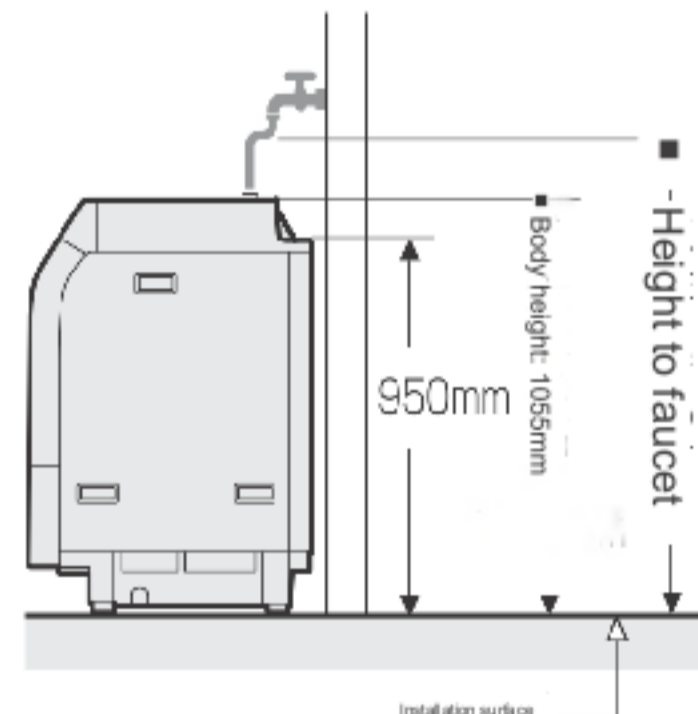
A commercial faucet may be required.

From the installation surface to the faucet (to raise the connection position)	
Over 1200mm	Unnecessary
950mm or more and less than 1200mm	Required depending on the type of faucet
Less than 950mm	Required (cannot be installed in some cases)

Example of faucet



Be sure to use a water supply hose that has a flange to receive the lever.



when needed

•Please use a faucet that complies with the Japan Electrical Manufacturers' Association standard JEM1206. If you are uncertain, please contact the faucet manufacturer.

Please contact us.

- Do not use faucets that do not have a flange for attaching the lever. [Cause of water leakage]
- Even if the built-in faucet complies with the Japan Electrical Manufacturers' Association standard JEM1206, the lever may not be attached securely or may not be inserted completely. Please contact the faucet manufacturer.

How to install

Check the location of the drain and the shape of the waterproof pan

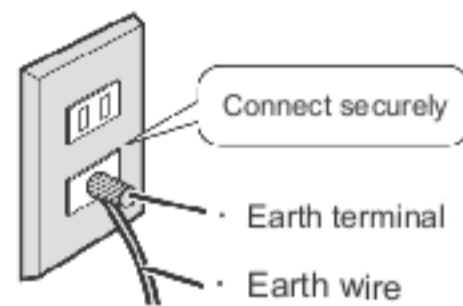
Drain location	Other than directly under the main unit		Right below the main body		42 Page
Installation location	Waterproof pan/Placed directly on the floor		Waterproof pan without stand/placed directly on the floor		Waterproof pan with stand (high corners)
Waterproof pan width (inner dimension)	680mm or more		Over 600mm		590mm or more
Shape of waterproof pan					
drainage elbow	can be	none	can be	none	can be none
Required optional items, etc. (Optional items, back cover)	Unnecessary		Installation legs (sold separately)	Directly below drainage joint set (Installation legs included/sold separately)	Commercially available drainage elbow Separate items may be required

Check power and ground

Warning Be sure to attach the earth wire electric shock in the event of a breakdown or electrical leakage

- The power supply for each unit should be 100V AC, rated at 15A or more.
- Use a properly grounded outlet (class D grounding) and ensure that the unit is properly grounded. We also recommend that you install a ground fault circuit interrupter.

If there is a ground terminal



If there is no ground terminal

Class D grounding work must be performed by an electrician. Please ask the dealer where you purchased the product or a nearby electrician to do this. (Please consult your dealer regarding the cost of this work.)



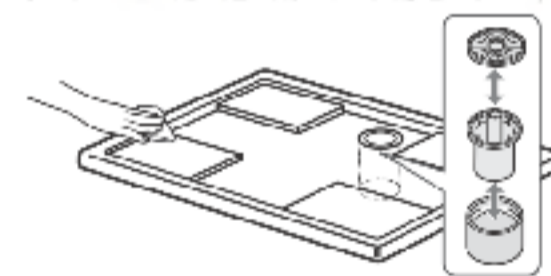
For earth wires of gas pipes, water pipes, telephones and lightning rods
Never connect.
(Prohibited by law)

Connect the drain hose to the drain

- Be careful not to damage the drain hose.
 - [Cause of water leakage due to broken hose]
 - Do not place the drain hose between the main body or legs, do not bend it sharply, and do not allow it to come into contact with sharp corners.
 - [Causes of holes in hoses]
 - Connect to the drain so that water can flow easily. [Poor drainage can cause the drain to take a long time, stop midway, a lot of water to come out when removing the lint filter, and water to leak from the detergent dispenser]
 - Make sure to connect securely so that it does not come loose from the drain.

Before installation, clean the waterproof pan and drain.

Waterproof pan [Causes the drain hose to break and cause flooding] Drain [Causes slow drainage, water leaks, and unpleasant odors]



- Please clean regularly even after installation.

Preparation before connection

Drainage hose treatment

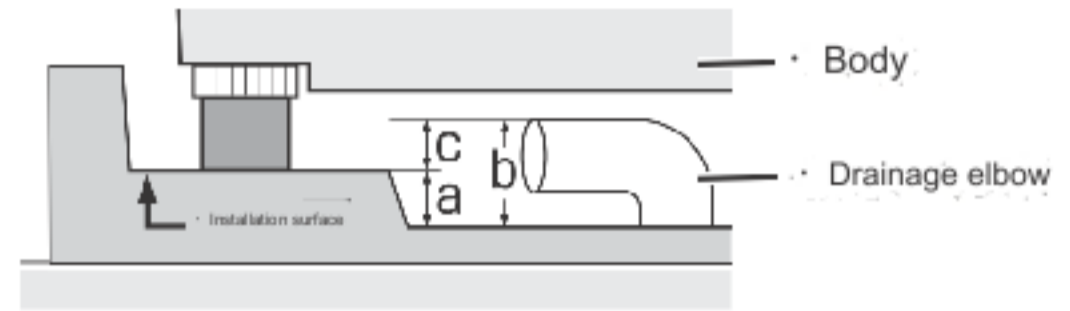
- When the drain hose is long
 - Cut the narrow part. [Cause of operation



If the drain-hose is cut, it may be necessary to replace it when you move, etc. For replacement, please consult the store where you purchased the product.

Height adjustment is required in the following cases:

If the difference (c) between the height (b) of the drain elbow and the height (a) of the installation surface is 15 mm or more, the height of the main unit must be adjusted to ensure a gap between the drain hose and the main unit. Refer to the table and adjust the height using the separately sold leg spacers or installation legs.

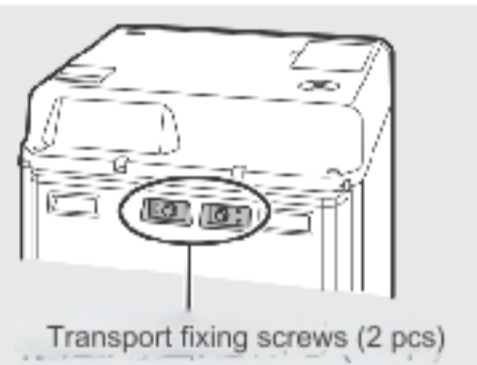


c dimension (=b-a)	Less than 15mm	15mm or more but less than 24mm	24mm or more but less than 42mm	42mm or more and less than 51mm
Leg spacer (+9mm*)	— (unnecessary)	○ (required)	— (unnecessary)	○ (required)
Installation feet (+27mm)	— (unnecessary)	— (unnecessary)	○ (required)	○ (required)

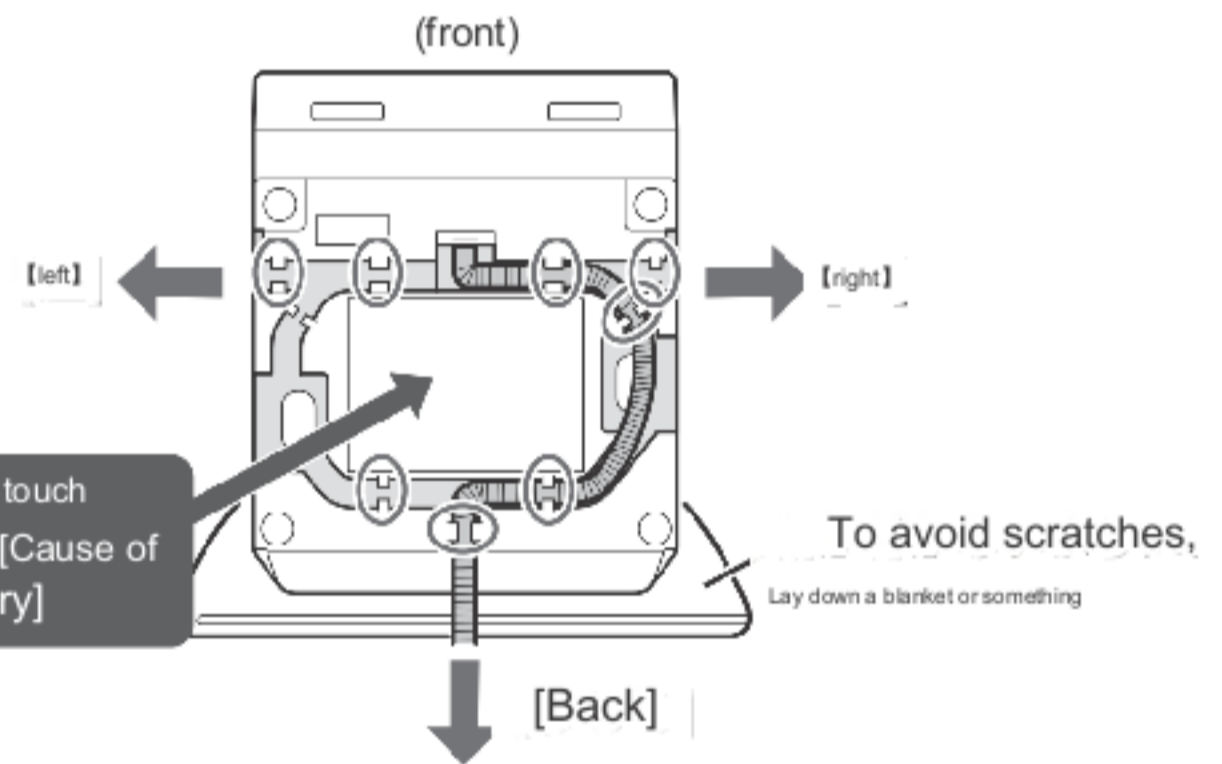
* Use 6mm and 3mm layers.

1 Gently tilt the front up

- Be sure to keep the shipping fixing screws attached before carrying out this work. (This may damage the internal mechanical parts or cause water leakage.)



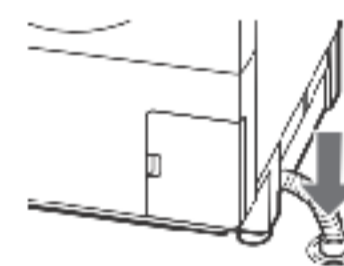
- Water may remain in the hose from factory testing. Take care to prevent this water from leaking out during work by placing a cloth over the hose, etc.



2 Remove the drain hose from either the right, left, or rear according to the position of the drain outlet.

- ○ marks are "hose fixing parts". Please fix them securely. [Causes of holes in hoses due to vibration]

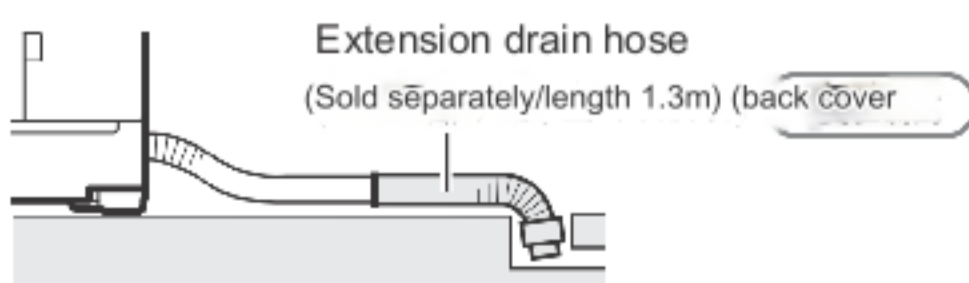
3 ① Raise the main unit, remove the transport fixing screws, and then set it down. For details on how to remove the transport fixing screws, see page 43.



② Insert the drain hose into the drain

● When the drain hose is short

Use a hose with an inner diameter of 3 cm or more and a length of 1.5 m or less. It can be extended. (The length after extension is up to 3m.)



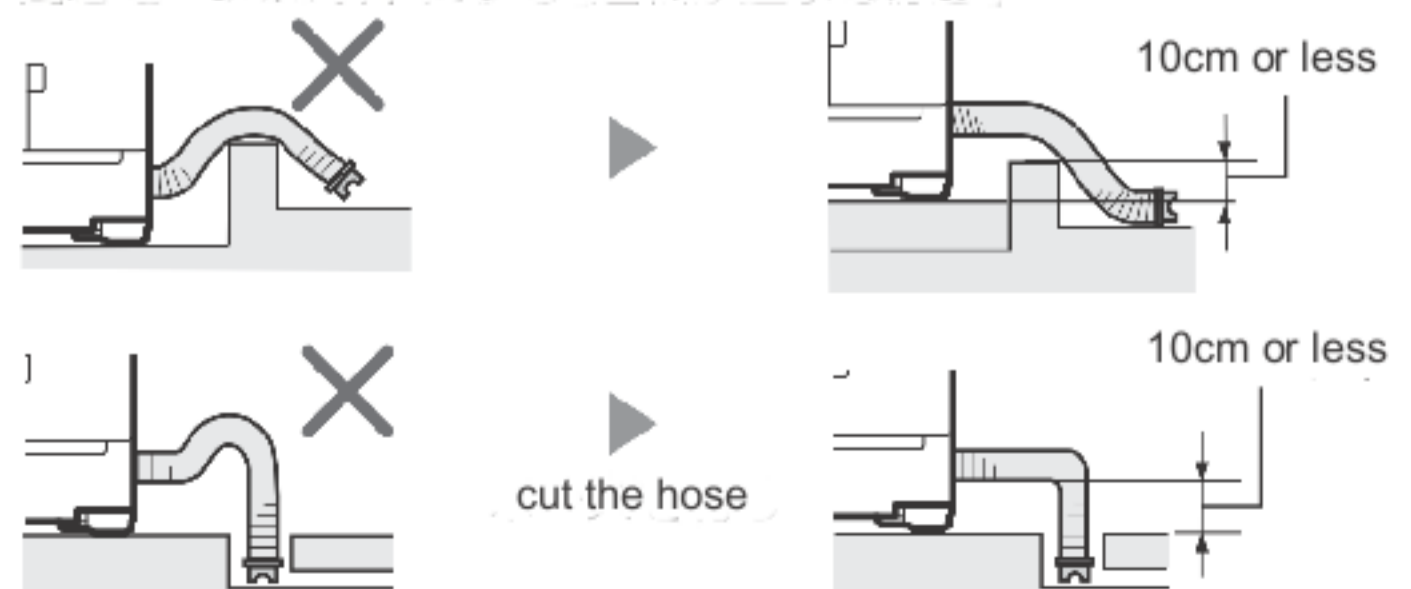
● When the drain hose is bent



● When the drain hose is positioned too high

(The height from the installation surface to the drain hose is 10cm or more.)

- Keep the height below 10cm [Cause of operation stopping]



If the drain is located directly below the unit 42 pages

when needed

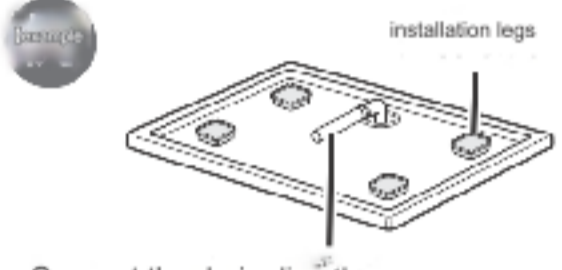
How to install

Connecting the drain hose to the drain (continued)

If the drain is located directly underneath the unit

Separately sold items as necessary
Preparation and setting up in the installation location
Pages 40 and 41

The separately sold bottom drain joint and installation legs must be set in the installation location.



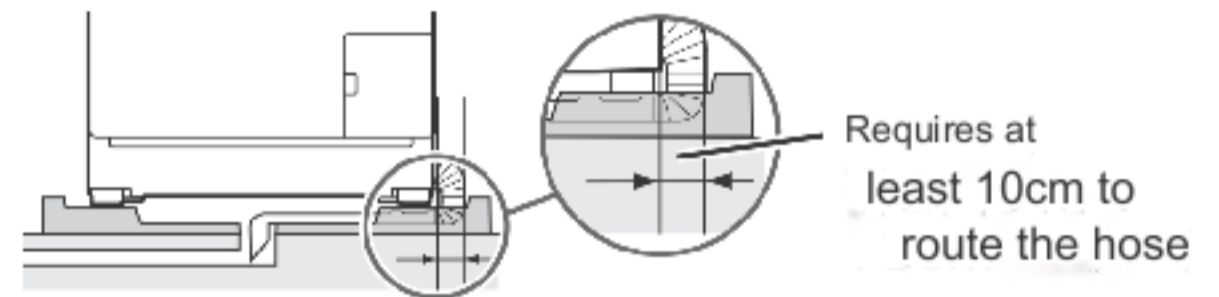
Connect the drain directly underneath (if it is long, cut off the narrow part)

1 Remove the shipping fixing screws before installing the unit.

- For how to remove the transport fixing screws, see page 43.

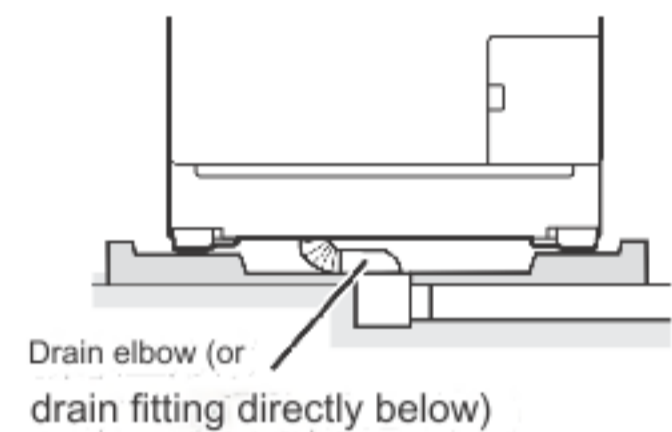
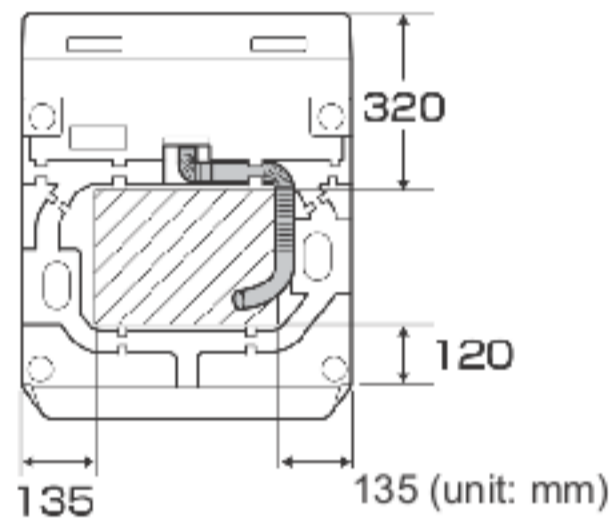
2 Cut the drain hose to fit the drain outlet, then connect it to the drain elbow (or directly below the drain connector).

- How to cut the drain hose 40 page



If there is no space to route the hose (step 2 above)

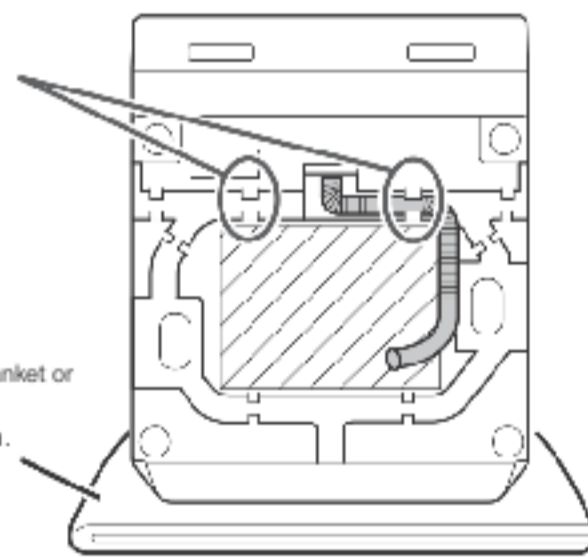
If a drain elbow or similar is located in the diagonal line position, the drain hose can be connected from the inside.



1 Gently tilt the front side up and secure the drain hose at one of the fixing points as shown in the figure.

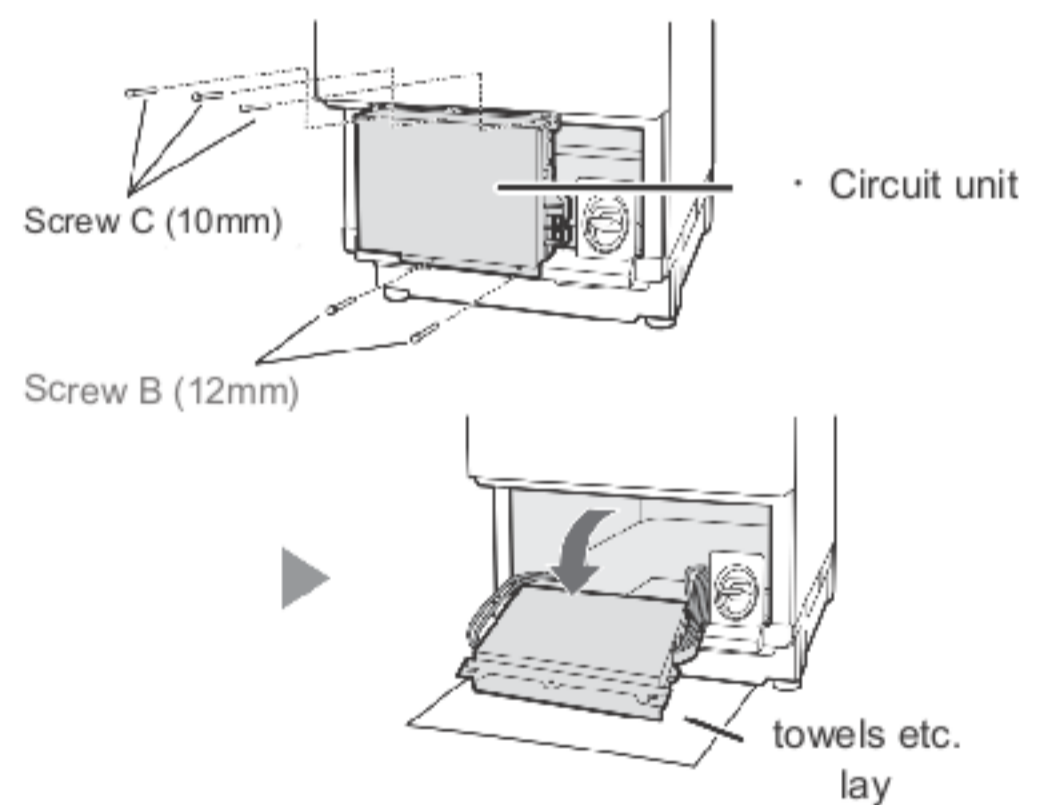
Fix it at one of the points

To prevent scratches, lay a blanket or something similar underneath.



- Be sure to attach the transport fixing screws before transporting the product. (This may damage the internal mechanism and cause water leakage.)

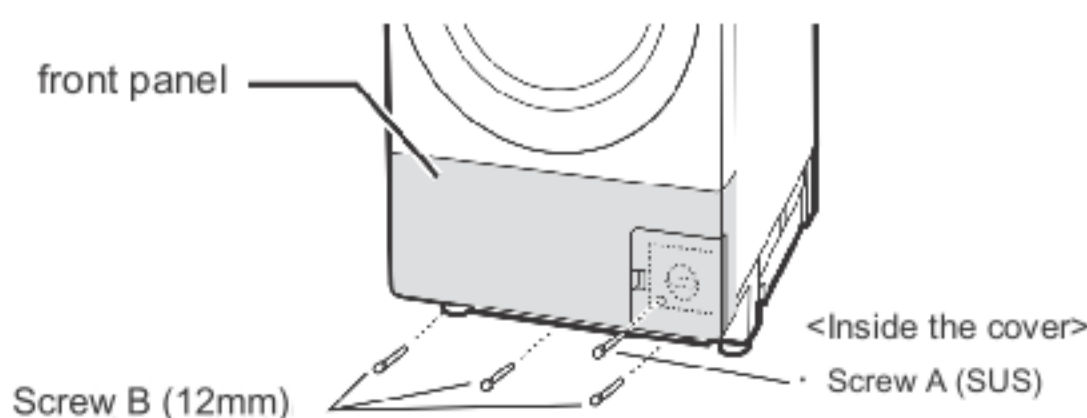
3 Remove screws B and C, and tilt the circuit unit towards you.



2 ① Raise the main unit and remove the transport fixing screws before installing it.

- For how to remove the transport fixing screws, see page 43.-

② Remove screws A and B and remove the front panel.



4 Internal drain elbow (or directly below) Drain connector and drain hose connect

5 Circuit unit and front panel Assemble in reverse order

Make sure to replace the removed screws in their original positions.

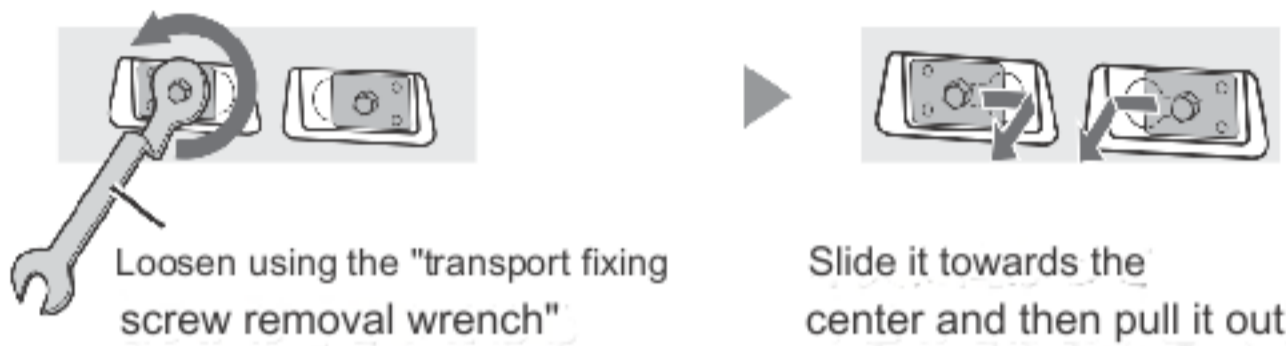
Please attach it.

[Loose screws cause noise and breakdowns]

Remove the shipping screws

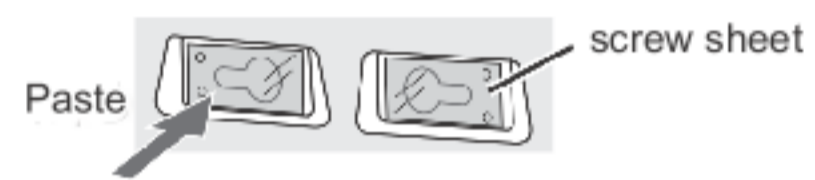
Be sure to remove the two transport fixing screws. [Operating the unit without removing them may cause abnormal vibrations] The timing for removing the screws varies depending on the installation method, Pages 41 and 42 removed "transportation fixing screws" and "transportation fixing screw removal wrench" will be necessary if you move, etc. Be sure to hand them over to the person who will be using the product.

1. Remove the two transport screws using the included "transport screw removal spanner."



2 Attach the included screw sheet to the holes (2 places) where the shipping fixing screws were removed.

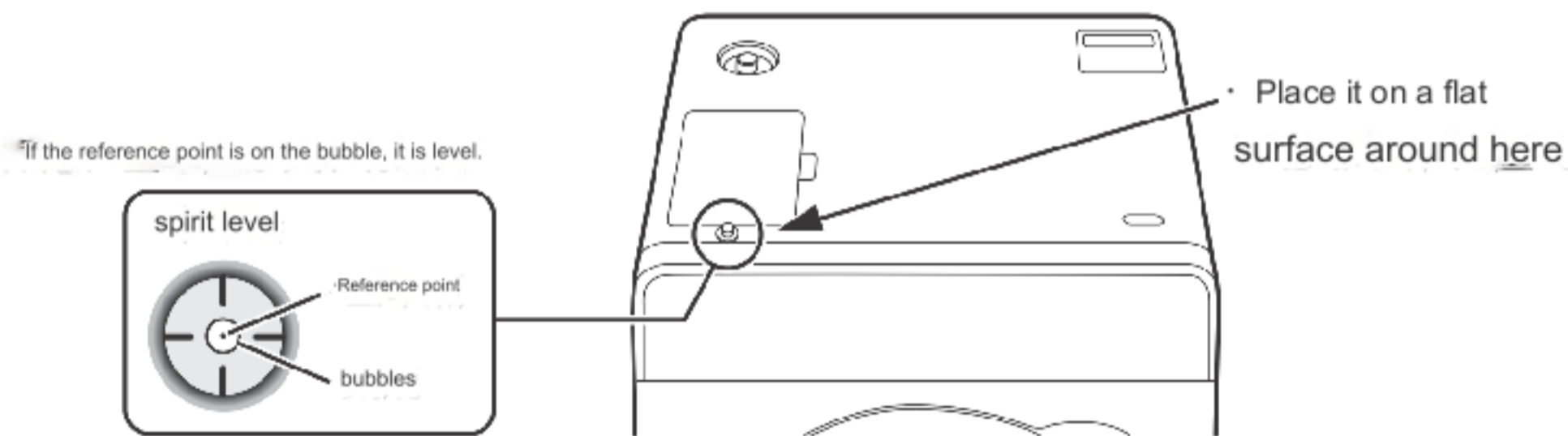
• Prevents hands or fingers from getting stuck and causing injury.



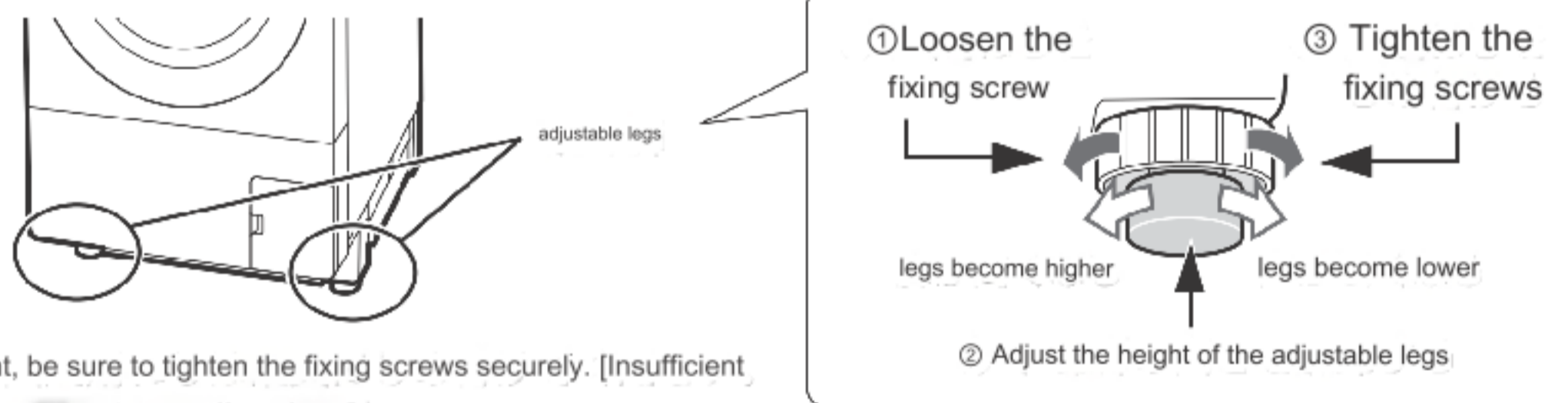
Install horizontally

Eliminate any wobble and install it horizontally. [Wobbling and tilting can cause large vibrations and stoppages during operation]

1 Check the level by placing the included spirit level



2 Adjust the adjustable legs (front two places)

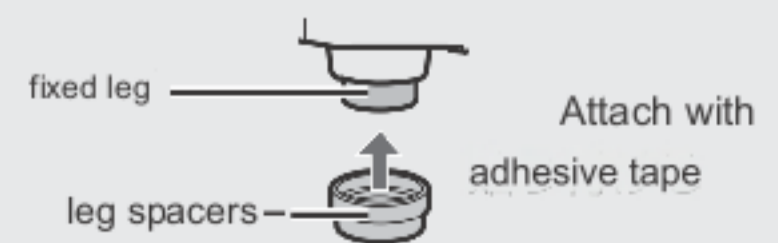


After adjustment, be sure to tighten the fixing screws securely. [Insufficient tightening can cause vibration.]

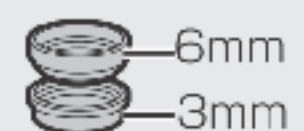
3 Press down on the diagonal top corners and rock it to check that it does not wobble.



If you cannot adjust the height using the adjustable feet alone, With leg spacers (sold separately) Adjust the fixed legs (two at the back) please.



• When stacking, place 3mm underneath. (If you do it the other way around, a gap will form, which may cause deformation or damage.)



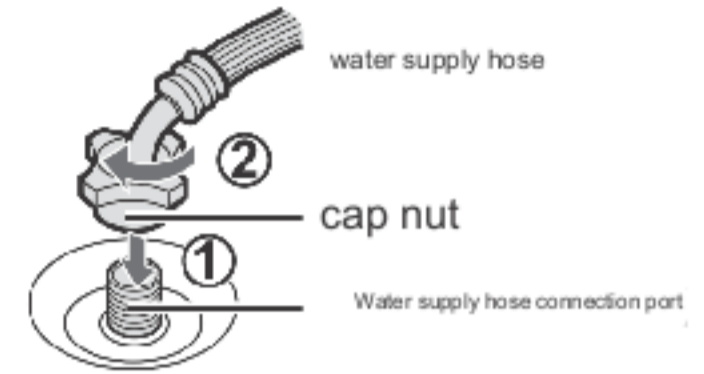
when needed

How to install

Attach the water supply hose

Use the new water supply hose provided.
[Using old ones can cause water leaks]

- 1 Connect the water supply hose to the main unit. Place the cap nut straight onto the water supply hose connection port (①) and tighten it firmly (②).



2. Connect the water supply hose to the faucet

Horizontal faucet page 39

Before connecting, please attach the included faucet connector (see below).

before connecting

Check that the tip of the faucet is free of scratches and dirt.

- If the dirt cannot be removed or if there is damage or rust, replace the faucet.

Soft with water
Lightly wet the tip with a cloth.

This will make the gasket (black) inside the hose slippery and prevent it from twisting.

While pulling down the slider (①), pull it straight towards the faucet until it clicks into place.

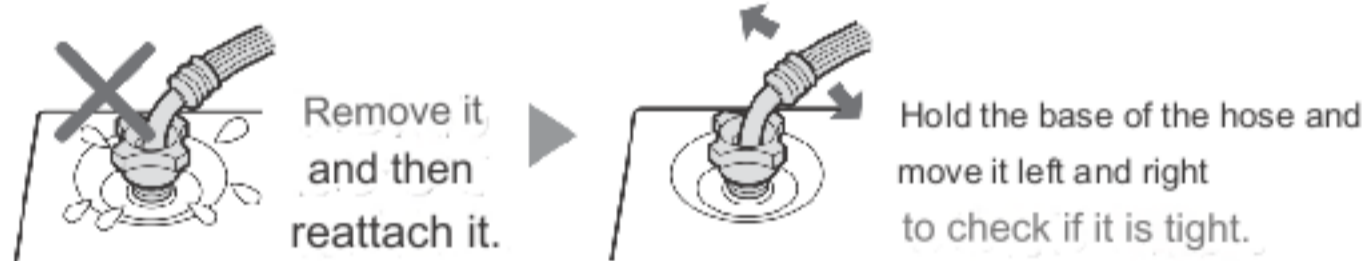
Slowly insert until the lock lever engages (②)

After connecting

Make sure that the lock lever is securely hooked onto the flange on the faucet side.

3 Check and inspect the installation

Main unit side • Check that the water supply hose connection is not loose or wobbly, and that the hose is not bent. [Causes of water splashing due to water pressure]



Faucet side

- Pull the hose to prevent it from tilting or wobbling. It is installed without any looseness. Make sure.
- Open the water tap and check for leaks. If there is a leak, temporarily disconnect the water supply hose. Remove it and reinstall it. (See page 45 for how to remove it.)

[In the case of a horizontal faucet]

How to install the faucet connector (included)

• Even if it is already attached, be sure to install the new one provided. • If the screws become loose after long-term use, it may cause unexpected damage such as water leakage or flooding. Please check it regularly.

- ① Loosen the four screws and place it on the faucet. Press it straight down.
- ② Press it straight down. Tighten securely.
- ③ Remove the label and tighten the body firmly until the threads are about 1 to 2 mm. [Insufficient tightening can cause water leakage]

Loosen the screw to the diameter of the faucet. Press into the center.

Adjusting the screws on the wall beforehand will make installation easier. If the diameter of the faucet is large (16mm or more), use a connecting ring. I'll take it off.

Next, the ring

While tightening the screws evenly, Tighten securely.

Approx. 4mm (thread)

label

driver

1~2mm (thread)

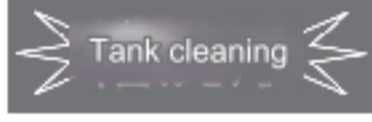
tightening body



- Make sure the faucet connector is firmly fixed in the center of the faucet without being tilted or loose.

- When reattaching, loosen it until about 4 mm of the screw threads are visible.

How to remove the water supply hose

1 Turn off the water tap and turn on the power.



 → 

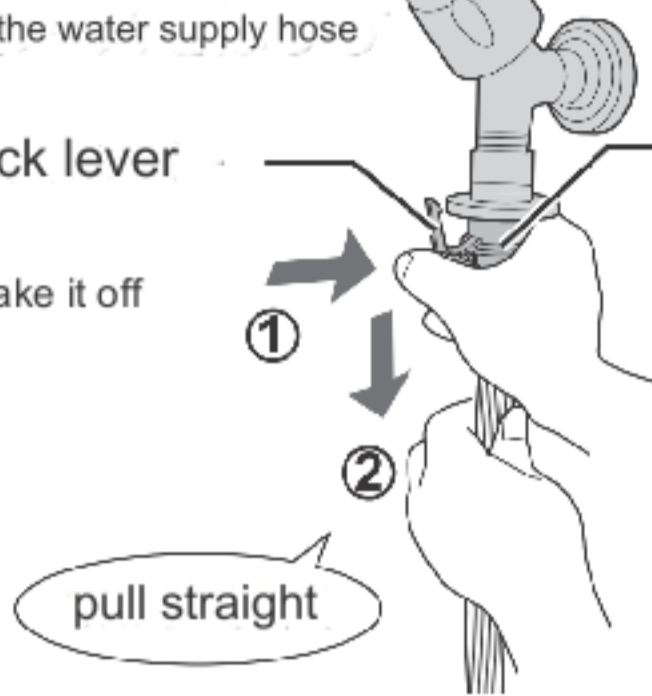
▶ Power off after about 15 seconds

•To prevent water from splashing when removing the filter, perform the above operation.

2. Remove the water supply hose

① Lock lever Take it off

② Pull the slider straight down

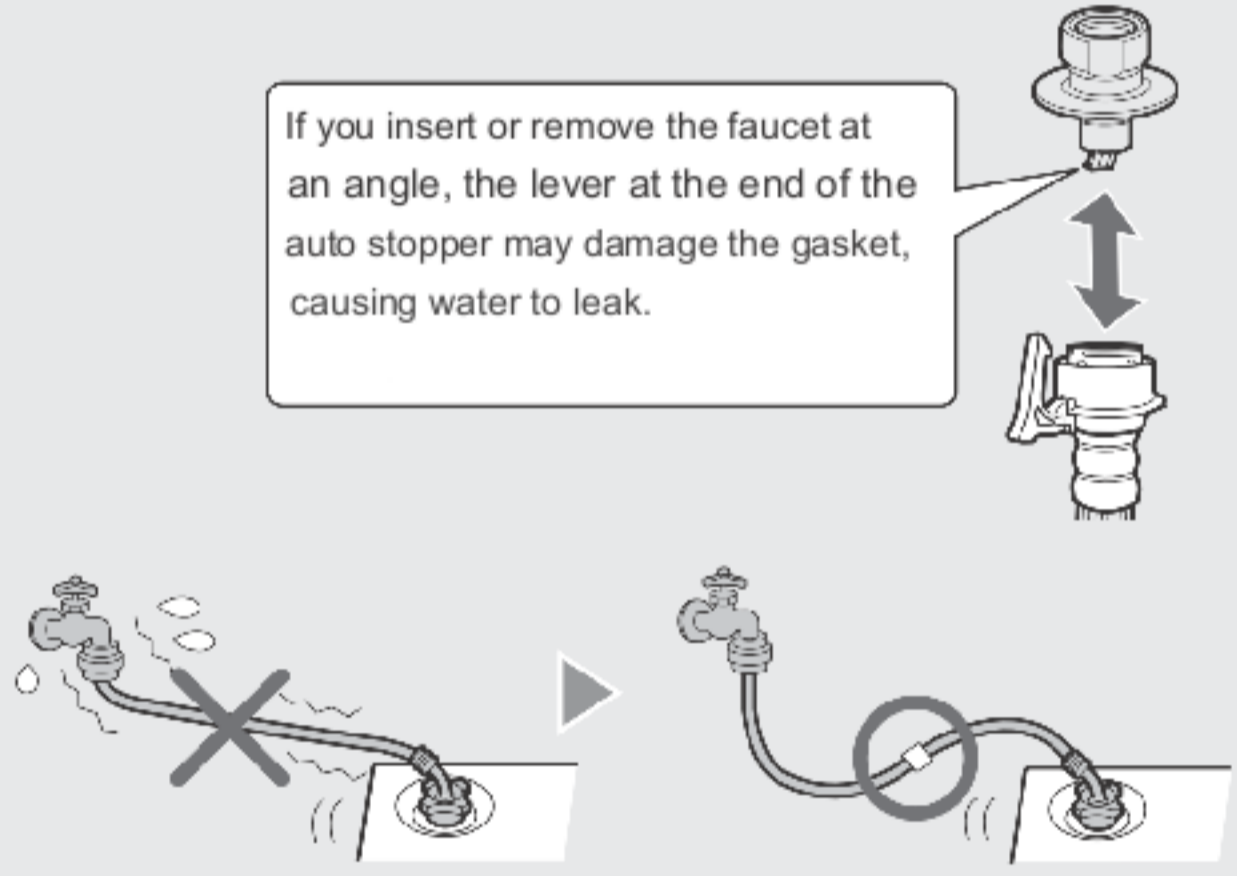


pull straight

•There will be water remaining in the hose, so please collect it in a container or something.

Please note If the water supply hose is not installed correctly, it may cause water leakage. Please pay attention to the following!

- Use the new water supply hose and faucet connectors provided or the separately sold ones. [Page 4 Back cover](#)
- If one is already installed, replace it with a new one.
- Check the tip of the faucet before installation.
 - If there is any dirt or other stains, remove them.
 - If the tip is scratched, rusted, or has peeling plating, Please replace it with a new one.
- When inserting or removing the hose, do so slowly and in a straight line.
 - Prevents the gasket (black) inside the hose from becoming damaged or twisted, which can cause water leaks.
- Install the hoses and connections so that no excessive force is applied to them.
 - If the hose is too short, please extend it with the extension water supply hose (sold separately).



If you insert or remove the faucet at an angle, the lever at the end of the auto stopper may damage the gasket, causing water to leak.





take a test drive Be sure to do this after installation.

During operation, there are no water leaks, strange noises, or abnormal vibrations from the main unit, water supply hose or drain hose connections, or the drain outlet.

Make sure that.

With nothing in the drum, turn it on.

Standard 5 3

   ▶ 

When spinning, there may be temporary vibrations before the machine starts operating at high speed. It may grow larger, but this is not abnormal.

- If "E", "C...", "U...", etc. are displayed, eliminate the cause and then perform the test run again (pages 54 and 55).
- If "888888" (store demo display) is displayed when you turn on the power, initialize the settings and then perform the test run again (page 32).

when needed

Warranty and after-sales service

When requesting repairs

On-site repair

- 1 Please refer to pages 47 to 52 under "What to do in these situations?" and pages 54 and 55 under "Error and Notification Displays."
- 2 If the problem persists, stop using the appliance, turn off the water tap, and be sure to unplug the power cord.
- 3 Please inform the store where you purchased the product of the following:

Product name: Drum-type electric washer/dryer
 - Model name: (Model name shown on the cover of this document)
 - Date of purchase - Details of the malfunction -
 Address - Name - Phone number - Preferred date of visit

Convenient memo It is useful to fill out when making a purchase.

Store name
 Phone Number () Date —
 Purchase Date

During the warranty period

Please present the warranty card when requesting repairs. Repairs will be carried out in accordance with the terms of the warranty card.

If the warranty period has expired

If the product can be used after repair, we will repair it for a fee if you wish.

Repair fee

It consists of the following contents.

Technical fee: The cost to repair the broken product Parts cost: The cost of the parts used in the repair
Travel fee: The fee for dispatching a technician to the location of the product.

Warranty card (attached)

When receiving the warranty from the store, please make sure that the date of purchase, the name of the store, etc. are filled in. Please read the warranty carefully and keep it in a safe place.

Warranty period: One year from the date of purchase.

Repairs due to misuse or external causes not caused by the product will incur a fee even during the warranty period. Please check the warranty for details.

We will not compensate for any damages caused by the product you purchased being unable to be used due to a malfunction.

Period for which replacement parts are available

We will retain repair parts for drum-type electric washer-dryers for six years after the end of production of the product. Repair parts are parts that maintain the functionality of the product. This is a necessary part for

Even if the product is within the warranty period, the period during which repair parts will be available after the production of the product is discontinued as determined by our company

If the deadline has expired and parts are not available, we may not be able to accept the repair.

About parts

In consideration of the environment, we may use recycled or alternative parts during repairs.

After repair, we will collect the replaced parts at our discretion and dispose of them appropriately.

Customer consultation desk information

Consultations and requests regarding repairs, usage, maintenance, shopping, etc., and in the unlikely event of an accident caused by a product. If this occurs, please contact the store where you purchased the product.

Or contact the following office.

If you are having trouble with an error message, please write down

the message and let us know.

This will allow us to advise you on the best way to respond to your inquiry.



[Membership Service] Join "COCORO MEMBERS" to make effective use of product information

By registering your favorite products in "My Home Appliances," you can receive support information such as optional items and maintenance methods.

Easy to use.

<https://jp.sharp/support/sp/cocoro/cocoro.html>

Register for COCORO MEMBERS
 MY Home Appliances here



"Anytime convenient web service [Sharp Online Support]"

If you have any questions or concerns,

Easy access and thorough assistance!

"Sharp Inquiry Search"

<https://jp.sharp/support/washer/>

Click here to contact us



Request repairs and check progress online!

Sharp repair consultation search

<https://jp.sharp/support/repair.html>

Click here to apply for repair



"Inquiries regarding usage, maintenance, etc."

Please be careful not to dial the wrong number.

Reception hours

(Excluding New Year's holiday)

Monday to Saturday: 9:00 to 18:00 •Sundays and public holidays: 9:00 to 17:00

Toll free from landline phones

0120 - 078 - 178

From your mobile phone, call Navi Dial

0570 - 550 - 449

■If you cannot use the toll-free number or Navi Dial... Call

FAX	
050 - 3852 - 5405	06 - 6792 - 5993
〒581-8585 3-1-72 Kitakameicho, Yao City, Osaka Prefecture	



"Repair Consultation Desk"

Please be careful not to dial the wrong number.

Reception hours (excluding New Year holidays)

Monday to Saturday: 9:00 to 20:00 Sundays and holidays: 9:00 to 17:00

Toll free from landline phones

0120 - 02 - 4649

From your mobile phone, call Navi Dial

0570 - 550 - 447

■If you cannot use the toll-free number or Navi Dial...

Phone	FAX
050-3852-5520	06-6792-3221
〒581-8585 3-1-72 Kitakameicho, Yao City, Osaka Prefecture	

*Address, telephone number, and business hours are subject to change.

■About QR code

Please read the barcode with a barcode reader on your smartphone or tablet. (If you cannot read the barcode, please enter the address written nearby directly.) The site and video you are directed to are free to view, but you will be responsible for any communication charges. QR Code is a registered trademark of DENSO WAVE INCORPORATED.

■Regarding the handling of customer personal information at the consultation desk

Sharp Corporation and its affiliated companies use your personal information for consultation, repair, etc. Personal information will be managed appropriately and will not be disclosed or provided to third parties except when outsourcing repair work, etc., or when there is a legitimate reason.

For details on the handling of personal information, please refer to <https://corporate.jp.sharp/privacy/index-j.html>.

Be careful when disposing

Under the Home Appliance Recycling Law that came into force in January 2001, customers who wish to dispose of used electric washing machines are required to pay collection and transportation fees and recycling fees, etc., and to properly hand the item over to the retailer or local government.

When using for purposes other than general household use

In places such as barber shops, beauty salons, dormitories, and hospitals where the appliance is used for much longer periods each day than in an average household, or when washing and drying clothes that have chemicals on them, parts may need to be replaced in a short period of time.

In this case, the product will not be covered by the warranty and repairs will generally be charged. We recommend that you consult with the store where you purchased the product and have it inspected regularly before using it again.

What if this happens?

• Please check again before requesting repairs or making inquiries. •

Error and notification displays are

Pages 54, 55



At times like this	Please check	Reference page
<p>Clothing finish</p> <p>Towels and other items are stiff</p>	<ul style="list-style-type: none"> The drum-type "beating wash" can cause towels to collapse in pile, making them stiff after hanging to dry. If you want a fluffy finish, we recommend running the machine until it dries. You can also try the following また, methods: - Use fabric softener. - Wash using the indoor drying cycle. - After drying in the sun, run the dry cycle on the clothes you are concerned about for about 10 minutes. 	<p>16 18</p>
<p>clothing shrinks</p>	<p>Some items shrink just by washing, while others shrink even more when dried. The degree of shrinkage is greatest after the first wash and dry.</p> <ul style="list-style-type: none"> Even with fibers such as cotton and linen, shrinkage may be greater depending on the weave of the fabric (knit, coarsely woven fabric, etc.). The hot air becomes very hot because it is a heater type. Please check the care instructions and material before drying. Page 8 <div style="border: 1px solid black; padding: 5px; margin: 5px 0;"> <p>Hot air temperature: Standard course: Approx. 100°C Blanket course: approx. 78°C°C • Home cleaning course: approx. 60°C</p> </div> <div style="border: 1px solid black; padding: 5px; margin: 5px 0;"> </div> <div style="border: 1px solid black; padding: 5px; margin: 5px 0;"> <p>例 Clothes that shrink easily: Cotton or linen-shirts, sweatshirts, sweaters, socks, gauze, polyurethane or acrylic blended clothing, etc.</p> <p>Shrink-resistant clothing, polyester blouses, polyester blend shirts, etc.</p> </div>	<p>— —</p>
<p>Poor drying long drying time</p>	<ul style="list-style-type: none"> Moisture may remain in the following cases. When there is too much clothing / When there is not enough clothing and the clothing sticks to the inside of the drum / When the clothing is tangled / When there are thick clothes mixed in / When there is a small amount of cotton clothing mixed in with a lot of synthetic clothing / When the spin-drying is insufficient / When the power is turned off or there is a power outage during the cycle / When the room temperature is below 5°C or above 30°C / When the water temperature is <small>When the temperature is over 30°C</small> If moisture remains, adjust the drying time and dry for additional time. •For thick items or items that you want to dry thoroughly, select "Adjust the drying finish/thorough drying". Please adjust it to "1". Is the water tap open? Because this is a water-cooled dehumidifier, please make sure the water tap is open. Is there lint accumulated in the drying filter? Is the drain position too high or is the end of the drain hose blocked? Are there any lint or other debris accumulated in the drain? 	<p>— 18,53 32 — 34 41 35</p>
<p>towels and clothes stuck to the drum become hard</p>	<ul style="list-style-type: none"> Are you only putting in cotton or towels? Do you put in synthetic clothes as well? If you put in synthetic clothes as well, or loosen the clothes in the drum after spin-drying, they will stick less. (Do not put in synthetic clothes listed on page 8.) 	<p>—</p>
<p>Worried about dry wrinkles?</p>	<p>The degree of wrinkling will vary depending on the material and weaving method of the fabric.</p> <p>If you are concerned about wrinkles</p> <ul style="list-style-type: none"> Reduce the amount of clothes. • Re-loosen the clothes after spinning. • Use the "Adjust the drying finish/Moderate" setting and hang dry or iron the clothes after the cycle. <div style="border: 1px solid black; padding: 5px; margin: 5px 0;"> <p>Examples: clothes that wrinkle easily, pajamas, sheets, shirts, etc.</p> <p>Wrinkle-resistant clothing, towels, briefs, undershirts, etc.</p> </div>	<p>— 32</p>
<p>The laundry was damaged</p>	<ul style="list-style-type: none"> Check the care label on the clothes and select the appropriate cycle. Also, be careful not to overload the clothes. <p>Clothing tears or product damage caused by the item popping out are not covered by the warranty.</p> <ul style="list-style-type: none"> Polyurethane contained in stretchy clothing tends to deteriorate more easily than other materials. Please be aware of the following: • Vulnerable to friction and twisting (follow the care instructions on the clothing) - Weak to chlorine (do not use chlorine bleach) - Deterioration occurs due to heat and ultraviolet rays during drying (we recommend drying in the shade) 	<p>5,8,9 —</p>


when needed

What if this happens?

In times like this	Please check	Reference page																						
Clothing finish	<p>Discoloration of clothing (yellowing, darkening, color transfer, etc.)</p> <p>●Discoloration can occur due to a variety of factors.</p> <table border="1"> <thead> <tr> <th rowspan="2">phenomenon</th> <th rowspan="2">Causes of discoloration</th> <th colspan="2">How to deal with it</th> </tr> <tr> <th>Please try it</th> <th>Discolored clothing</th> </tr> </thead> <tbody> <tr> <td>A stain has appeared</td> <td> <ul style="list-style-type: none"> Some fabric softeners are difficult to dissolve in water and can cause localized stains if applied in high concentrations. Did you put in too much fabric softener? Measure it correctly. </td> <td> <ul style="list-style-type: none"> Measure the amount of fabric softener correctly. Change the type of fabric softener. Switch from concentrated to conventional fabric softener. </td> <td>Immediately wash with solid soap or mild detergent.</td> </tr> <tr> <td>Darkened Yellowed</td> <td> <ul style="list-style-type: none"> Detergents have the effect of preventing dirt that has dissolved from clothing from adhering to the clothing (preventing redeposition), but if the amount of detergent is small compared to the amount of dirt, the dirty detergent solution may contaminate the clothing. In particular, drum-type washing machines use less water, so the concentration of dirt in the detergent solution is high, and this becomes more noticeable when liquid detergent, powdered soap, or liquid soap is used. </td> <td> <ul style="list-style-type: none"> Measure the amount of detergent correctly. Use powdered synthetic detergent. Change or increase the washing time or number of rinses. </td> <td> <ul style="list-style-type: none"> Soak overnight in a highly concentrated detergent solution with detergent thoroughly dissolved. Wash from If it doesn't come off, use chlorine on the white items. For colored or patterned items, use an oxygen bleach. </td> </tr> <tr> <td>The water pipes are rusty</td> <td>Rust from water pipes may cause discoloration of clothing.</td> <td>—</td> <td> <ul style="list-style-type: none"> Bleach white clothes with a reducing bleach. </td> </tr> <tr> <td>Discolored</td> <td> <ul style="list-style-type: none"> If new colored or patterned items or other items that are prone to fading are washed together, the colors may transfer. </td> <td> <ul style="list-style-type: none"> Wash items that are prone to fading separately. </td> <td> <ul style="list-style-type: none"> Use chlorine bleach for white items and oxygen bleach for colored and patterned items. (The stains may not come off.) </td> </tr> </tbody> </table>	phenomenon	Causes of discoloration	How to deal with it		Please try it	Discolored clothing	A stain has appeared	<ul style="list-style-type: none"> Some fabric softeners are difficult to dissolve in water and can cause localized stains if applied in high concentrations. Did you put in too much fabric softener? Measure it correctly. 	<ul style="list-style-type: none"> Measure the amount of fabric softener correctly. Change the type of fabric softener. Switch from concentrated to conventional fabric softener. 	Immediately wash with solid soap or mild detergent.	Darkened Yellowed	<ul style="list-style-type: none"> Detergents have the effect of preventing dirt that has dissolved from clothing from adhering to the clothing (preventing redeposition), but if the amount of detergent is small compared to the amount of dirt, the dirty detergent solution may contaminate the clothing. In particular, drum-type washing machines use less water, so the concentration of dirt in the detergent solution is high, and this becomes more noticeable when liquid detergent, powdered soap, or liquid soap is used. 	<ul style="list-style-type: none"> Measure the amount of detergent correctly. Use powdered synthetic detergent. Change or increase the washing time or number of rinses. 	<ul style="list-style-type: none"> Soak overnight in a highly concentrated detergent solution with detergent thoroughly dissolved. Wash from If it doesn't come off, use chlorine on the white items. For colored or patterned items, use an oxygen bleach. 	The water pipes are rusty	Rust from water pipes may cause discoloration of clothing.	—	<ul style="list-style-type: none"> Bleach white clothes with a reducing bleach. 	Discolored	<ul style="list-style-type: none"> If new colored or patterned items or other items that are prone to fading are washed together, the colors may transfer. 	<ul style="list-style-type: none"> Wash items that are prone to fading separately. 	<ul style="list-style-type: none"> Use chlorine bleach for white items and oxygen bleach for colored and patterned items. (The stains may not come off.) 	
	phenomenon			Causes of discoloration	How to deal with it																			
		Please try it	Discolored clothing																					
	A stain has appeared	<ul style="list-style-type: none"> Some fabric softeners are difficult to dissolve in water and can cause localized stains if applied in high concentrations. Did you put in too much fabric softener? Measure it correctly. 	<ul style="list-style-type: none"> Measure the amount of fabric softener correctly. Change the type of fabric softener. Switch from concentrated to conventional fabric softener. 	Immediately wash with solid soap or mild detergent.																				
	Darkened Yellowed	<ul style="list-style-type: none"> Detergents have the effect of preventing dirt that has dissolved from clothing from adhering to the clothing (preventing redeposition), but if the amount of detergent is small compared to the amount of dirt, the dirty detergent solution may contaminate the clothing. In particular, drum-type washing machines use less water, so the concentration of dirt in the detergent solution is high, and this becomes more noticeable when liquid detergent, powdered soap, or liquid soap is used. 	<ul style="list-style-type: none"> Measure the amount of detergent correctly. Use powdered synthetic detergent. Change or increase the washing time or number of rinses. 	<ul style="list-style-type: none"> Soak overnight in a highly concentrated detergent solution with detergent thoroughly dissolved. Wash from If it doesn't come off, use chlorine on the white items. For colored or patterned items, use an oxygen bleach. 																				
The water pipes are rusty	Rust from water pipes may cause discoloration of clothing.	—	<ul style="list-style-type: none"> Bleach white clothes with a reducing bleach. 																					
Discolored	<ul style="list-style-type: none"> If new colored or patterned items or other items that are prone to fading are washed together, the colors may transfer. 	<ul style="list-style-type: none"> Wash items that are prone to fading separately. 	<ul style="list-style-type: none"> Use chlorine bleach for white items and oxygen bleach for colored and patterned items. (The stains may not come off.) 																					
smell	<p>I'm concerned about the smell</p> <p>When you first start using the drying function, you may notice a rubber smell. This smell will be reduced if you perform a "drying test run." This can be reduced by using the drying function.</p> <ul style="list-style-type: none"> The smell of dirt accumulated in the drain may back up. Please clean the drain regularly. If the drying filter is clogged, the drain may smell. After cleaning the drying filter, run the tub cleaning course "No washing operation." The detergent remaining in the drum may cause bacteria to grow, causing the inside of the drum to smell. Use a separately sold washing machine drum cleaner (chlorine-based) on the drum cleaning course (wash: 8 hours). During hot seasons (spring to autumn), we recommend doing this about once a month. 	10 35 34,36																						
	<p>I couldn't add detergent before the water supply finished.</p> <p>I forgot to add detergent</p>	<ul style="list-style-type: none"> Press the "Start" key to pause the machine and pour detergent directly into the drum. (Water supply will stop. When opening the door while the machine is running, please be aware that water may flow onto the glass surface of the door.) <p>If you are unable to make it in time for the water supply, press the "Start" key to temporarily stop the water supply. (Touch again to resume operation.)</p>	— —																					
Detergent dispenser	<p>The detergent remains in the input case</p> <p>In areas with low water pressure, detergent may remain. After the detergent amount is displayed, press the "START" key to pause the washing, and then pour the detergent directly into the drum.</p> <ul style="list-style-type: none"> Is the feed slot case wet? Be sure to wipe it with a dry cloth before use. 	— 12																						
	<p>Water remains in the dispenser case (fabric softener side)</p> <ul style="list-style-type: none"> Due to the siphon structure, some water may remain after operation has finished, but this is not abnormal. 	—																						
power supply	<p>I can't turn the power off.</p> <p>I can't turn the power on.</p> <p>Please wait a little while before operating.</p> <p>If the appliance does not receive any power, unplug the power cord, wait about one minute, then plug it back in. If the appliance still does not receive power, it may be broken, so turn off the water tap, unplug the power cord, and have it inspected and repaired immediately.</p>	— —																						
	<p>The operation has ended but the power does not turn off.</p> <p>During the wrinkle prevention operation, the power does not turn off automatically immediately after the operation ends. If you want to turn off the power, press the power switch.</p>	15																						

- Please check again before requesting repairs or making inquiries.
- Error and notification display: see pages 54 and 55



At times like this	Please check	Reference page	
Operation panel keys don't respond	<ul style="list-style-type: none"> • Is there water or dirt on the operation panel? (Wipe it off with a soft, dry cloth.) / Is there a sticker or tape on the operation panel? (Remove any stickers or tape.) / Are you wearing gloves, bandages, using your fingernails or sharp objects to operate the panel? (Operate directly with your fingers.) / Are you touching a part of the key away from the center? (Touch the center.) / Are you touching a key and then immediately releasing your finger? (Touch and hold the key for a little longer.) / Are you touching another key when you touch it? If you have checked the above and it still does not respond, turn the power off, wait a while, and then turn it back on. 	—	
Washing, spin-drying and drying	Does not measure laundry load regardless of the amount The detergent indication is always at its maximum	<ul style="list-style-type: none"> • This occurs when drainage conditions are poor and a lot of water remains in the drum. <ul style="list-style-type: none"> - Is the drain hose connected to the drain outlet? - Is the drain hose positioned so that water can flow easily? (Pay attention to the length of the hose, bends, etc.) - Is the drain clogged? 	— 41 35
	Supplying water during washing	<ul style="list-style-type: none"> • When the water level drops, water is automatically replenished. 	—
	(Rinse easily) I can't see the water	<ul style="list-style-type: none"> • We use a "beating wash" method in which the clothes are lifted and washed using a small amount of water. It can be washed thoroughly using less water. 	—
	A lot of bubbles occur	<ul style="list-style-type: none"> • If a large amount of foam is produced, it can have the following effects: the dirt removal and rinsing ability will be reduced, the operating time will be longer, the spin cycle will stop midway, water will leak, and lint will accumulate inside, gradually reducing the drying ability. <ul style="list-style-type: none"> • Measure and add the correct amount of detergent. Even with the correct amount of detergent, excessive foaming may occur depending on the water quality, type of clothes, and degree of dirt. In this case, reduce the amount of detergent by about 20%. 	 <p>×: Too much foam (about half the door is covered with foam)</p> <p>○: Normal amount of bubbles</p>
	drain while washing	<ul style="list-style-type: none"> • If a large amount of foam is detected, the water will be drained to remove the foam and prevent a decrease in dirt removal performance. Washing will continue even after draining, but this is not a problem. 	—
	cannot dehydrate	<ul style="list-style-type: none"> • If there is one thick, highly absorbent item (such as jeans or a sweatshirt) in the laundry, or if you wash only one thick, highly absorbent item, it will be unevenly distributed. The machine may stop without being able to spin the water. (Displays "E04"). Squeeze it lightly with your hands, add 1 to 3 wet bath towels, etc., and then spin-dry it. Please do so. • The start of dehydration can be adjusted to be "smooth." • Are you washing many clothes in one laundry net? Separate them into different laundry nets. 	54 32 9
	There is foam remaining in the lint filter	<ul style="list-style-type: none"> • After rinsing, the foam remaining in the drum may need to be drained. When this happens, some foam may adhere to the filter, but this is not abnormal. 	—
	Why do you leave the tap open when it's dry?	<ul style="list-style-type: none"> • This unit is a water-cooled dehumidifier. If the water tap is not turned on, the clothes may not dry and the inside of the drum may become abnormally hot. 	—
	Washing and drying times take too long	<ul style="list-style-type: none"> • Operating time will be longer in the following cases. <ul style="list-style-type: none"> • In such cases, an operation to remove foam will be automatically added. <ul style="list-style-type: none"> • When you have added too much detergent (measure it correctly) • When you have used a detergent that produces a lot of foam (use 20-30% less detergent) • When the lint filter or drain is clogged. (Please clean it.) • When laundry is unevenly distributed during the spin cycle. (An operation to correct the bias will be added automatically.) • When the drying filter is clogged. (Please clean it.) When the room temperature is below 5°C or above 30°C, or when the water temperature is above 30°C. 	11 11 33,35 — 34 — —

(page 11)

when needed

What if this happens?

	In times like this	Please check	Reference page
Washing, spin-drying and drying	Drying is complete (displays "0 minutes remaining") door won't open	<ul style="list-style-type: none"> The wrinkle prevention operation is in progress. The operation has now finished, so please turn off the power or touch the "Start" key to unlock the machine and remove the items as soon as possible. (Maximum 2 hours/"0 minutes" and "remaining" will light up or flash) 	15
	Clothes get wet when you take them out Water accumulates on the door gasket	<ul style="list-style-type: none"> If debris accumulates on the door gasket, water will accumulate, so be sure to remove it. Pet hair in particular is prone to buildup, so be sure to remove it frequently. 	35
Remaining time display	The remaining time may increase or decrease	<ul style="list-style-type: none"> The remaining time is the estimated operation time. The remaining time is displayed while correcting according to the operation status, so it may increase or decrease during the operation depending on the type and quality of clothes, uneven distribution, etc. In particular, during drying, it may suddenly increase or decrease depending on the drying condition. If you restart the spin cycle after pausing it temporarily, the time will increase because the cycle will return to the beginning. 	—
	(Washing ~ Drying/Drying) Although it is a small amount, the display time is long	<ul style="list-style-type: none"> If you repeat the drying cycle, the time may be longer from the second time onwards. The display may be longer depending on the type of clothing or if it is unevenly distributed, but the sensor will detect this during operation and the washing will stop at the appropriate time. 	—
	(During drying) The remaining time keeps flashing and does not decrease	<ul style="list-style-type: none"> The sensor checks whether the drying is complete. Depending on the detection result, the "20 (min)" may continue to flash and the dryer may continue to operate for 1 to 2 hours. 	—
Sound/vibration	When you move the drum, it makes the sound of water. ("Swish swish" sound)	<ul style="list-style-type: none"> This is the sound of the liquid sealed in the parts to maintain balance during dehydration and is not abnormal. 	—
	When opening and closing the door, there is a clicking noise.	To keep the door airtight, the door gasket and the glass surface of the door are in close contact. When opening and closing the door, noises may be heard, but this is not abnormal.	—
	Abnormal noises and large vibrations	<ul style="list-style-type: none"> Have you removed the transport fixing screws? Is the main unit tilted or wobbly? Check that it is level using the included spirit level. If the surface is not level, adjust it with the adjustable feet on the main unit. The spin-drying start can be adjusted to "low vibration." Have any foreign objects, such as hairpins or metal objects, gotten mixed in? Is your laundry prone to being unevenly distributed? - Have you put in your laundry only one piece of clothing (such as jeans or a sweatshirt) that will become heavy when it absorbs water, or have you washed only one piece of clothing that will become heavy when it absorbs water? Wash it together with bath towels and other laundry. - Do not put clothes in one laundry net. Have you put too much laundry in the laundry bag? Wash it separately in a separate laundry bag. <p>Problems caused by improper installation or handling are not covered by the warranty.</p>	43 43 32 9
	(During spin-drying) Fan noise	<ul style="list-style-type: none"> Air is being blown to ensure efficient dehydration. This is not a problem. 	—
Even though it's dry, I can hear the sound of running water	<ul style="list-style-type: none"> This is the sound of running water used to cool and dehumidify the high temperature moisture that comes out of clothes when drying. 	—	
(During drying) A "popping" sound is heard	<ul style="list-style-type: none"> Water and air moving inside the drain hose may make noise. This is not a problem. 	—	
water leak	water leaks	<ul style="list-style-type: none"> Is the water supply hose installed correctly? 	44
		After cleaning the lint filter, did you tighten the knob securely?	33
		<ul style="list-style-type: none"> Is there detergent accumulating inside the dispenser case (on the main body side)? Are you using a detergent that produces a lot of foam? (A large amount of foam is generated and the overflowing foam It may wet the floor. Please use 20-30% less. 	34 11
		<ul style="list-style-type: none"> Is the drain clogged? 	35
		Deterioration of the faucet, clogging of the drain, and other defects caused by handling are not covered by the warranty. Not applicable.	

- Please check again before requesting repairs or making inquiries.
- Error and notification display: see pages 54 and 55



In times like this	Please check	Reference page
door won't open	<ul style="list-style-type: none"> • If there is a power outage or the power plug is unplugged during operation, the unit will lock for safety. The lock will be released when the power is turned on. 	—
	<ul style="list-style-type: none"> • For safety reasons, the door is automatically locked during operation. Touch the "Start" key when you want to open it. (If you open the door during washing, water and bubbles on the glass surface of the door may flow onto the floor. Wipe them off with a towel, etc.) If you pull the door handle while the door is locked, "EO2" may be displayed. 	— 54
	<p>If the water level in the drum is greater than the specified level, the door will automatically lock to prevent water leakage. The door can be opened after draining the water.</p> <ul style="list-style-type: none"> • The door cannot be opened while the child lock is activated. (When the power is turned on, the "Child Lock" message appears.) Touch the "Child Lock" key for 3 seconds or more to release the lock. • If the temperature inside the drum is high, for safety reasons the fan will operate to lower the temperature before releasing the lock, which will take some time. 	22 10 —
<div style="border: 1px solid gray; padding: 10px;"> <p>When the inside of the drum is hot</p> <p>When the machine is running, touching the "Start" key will start the fan operation. When the temperature inside the drum drops (usually after about 10 to 20 minutes), the "Door Lock" indicator will turn off and the door can be opened.</p> <div style="display: flex; align-items: center; justify-content: center;"> <div style="display: flex; gap: 10px;"> <div style="text-align: center;"> <p>Door lock</p> <p>Fan operation (flashing)</p> </div> <div style="text-align: center;"> <p>Cooling</p> </div> <div style="text-align: center;"> <p>Door lock Cooling</p> <p>(off)</p> </div> </div> <p style="margin-left: 100px;">the door can be opened</p> </div> <ul style="list-style-type: none"> • After pausing, air may be blowing when you open the door, but this is not abnormal. • If the temperature inside the drum does not drop completely after the fan has started, the machine will stop and pause. Touching the "Start" key again will restart the fan, and the door will open when the temperature has dropped. <p>Unplug while driving</p> <p>When the power goes out</p> <p>When the power is turned on, the fan starts to operate. When the temperature inside the drum drops, the "Door Lock" indicator goes off and the door can be opened.</p> <hr style="border-top: 1px dashed gray;"/> <ul style="list-style-type: none"> • If you perform a short drying cycle immediately after a drying cycle, the power may be turned off with the door locked. When you turn the power back on, the door can be opened after the fan cycle. </div>		
Disinfection and deodorization course	<ul style="list-style-type: none"> • Did you remove the item immediately after it was finished? If you do not remove it immediately, odors trapped inside the drum may transfer to the item. * Depending on the type and strength of the odor, the odor may not be fully eliminated. <ul style="list-style-type: none"> • Items stored in a closet for a long time / Thick items that have not been washed for a long time (such as stuffed toys and cushions) / Strong pet odors / Odors that have been left for a long time (such as curtains that have been hung for a long time) • When deodorization is not sufficient <p>Try running it again or try washing or dry cleaning as normal.</p>	— —
	<ul style="list-style-type: none"> • Immediately after operation, there may be an odor inside the drum. This can be removed by washing normally. If the odor bothers you, use the tub cleaning course. 	36,37
Disinfection and deodorization course	<ul style="list-style-type: none"> • Hot air is used. Please be careful when removing the item. 	—
	<ul style="list-style-type: none"> • Please check "What you can drive" and "What you cannot drive". • Since the "30 minutes" setting involves a long period of exposure to hot air, please be especially careful with items that are sensitive to heat. 	28 —

when needed

What if this happens?

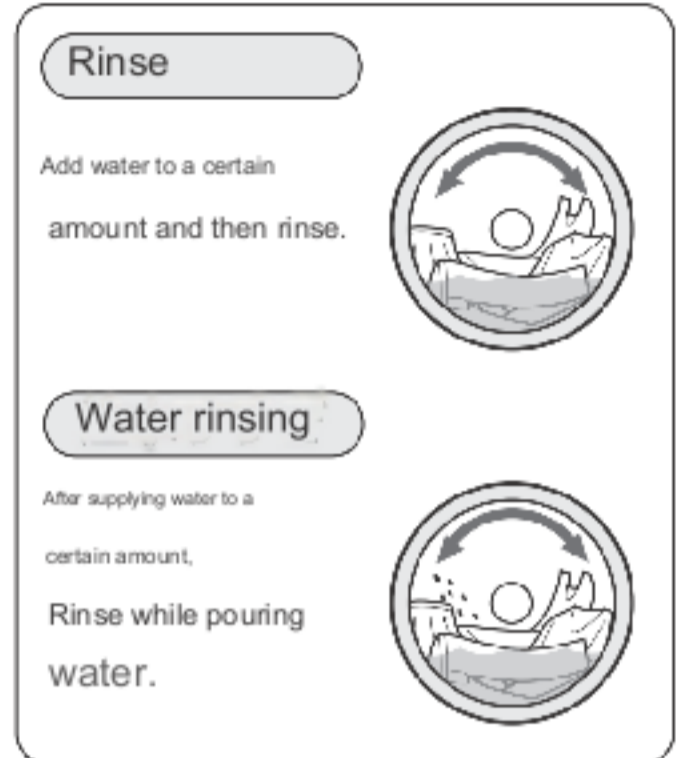
- Please check again before requesting repairs or making inquiries.
- Error and notification displays

Pages 54 and 55

of the course

At times like this	Please check	Reference page	
plasma cluster ion	<p>What are the effects on the human body?</p> <p>Doesn't it produce ozone?</p>	<ul style="list-style-type: none"> • Plasmacluster ions have the same chemical composition and structure as ions found in nature, such as in forests, and have been confirmed to be harmless to the human body. They are effective against minute objects such as airborne bacteria and odor molecules, but larger objects have static electricity on their surfaces, so they will disappear even if they collide with the human body. • A small amount of ozone is generated, but the concentration is so small that it does not pose a health problem. 	—
	How do I replace my Plasmacluster ion generator?	<ul style="list-style-type: none"> • No need to replace. 	—
	What happens to the bacteria after it is removed?	<ul style="list-style-type: none"> • They lose their ability to function and become nothing more than dust or dirt. 	—
others	When the door is opened after driving, water flows out.	Water droplets on the inside of the glass door may run down, but this is not abnormal. Wipe them off with a towel etc.	—
	There is lint from clothing inside the drum	<ul style="list-style-type: none"> • To avoid staining your laundry, rinse using the tub cleaning cycle "no wash". 	36,37
	Fluorescent lights may dim for a moment. The breaker may trip.	<ul style="list-style-type: none"> • Depending on the home's outlet circuit, the voltage may drop momentarily or the breaker may trip when the motor starts to operate or the heater turns on. (Please use a dedicated outlet circuit of 15A or more.) 	—
	The area around the drying filter or inside the detergent dispenser is wet.	The unit may become wet due to humidity during operation (especially when the temperature is low), but this is not abnormal. If left unattended, it may cause odors or mold, so wipe off any moisture with a dry cloth before use.	—
	Leg marks on the floor	<ul style="list-style-type: none"> • If the unit is installed on a vinyl chloride floor, the color of the rubber feet may transfer due to the components of the floor material. 	—
	Plastic parts have fine lines that look like scratches	<ul style="list-style-type: none"> • This is caused by resin flow marks that occur during molding or mold joints. There are no problems with part strength or product performance. 	—

Washing/Washing~Drying



*1 Since a loosening operation is performed to ensure efficient drying, the drying time may be longer than when using "Wash only."

*2 This is an estimate that includes water supply time (approx. 10L/min), drain time, balance control, standard drying time, and airflow time. The actual time required will vary depending on the type and amount of clothes, combination, room temperature, water pressure, water temperature, drainage status, sensor detection, and uneven distribution of fabric.

*3 "Washing~Drying" is the estimated time when the room temperature is 20°C and the water temperature is 20°C. It may take significantly longer depending on the conditions. (When the room temperature is below 5°C or above 30°C/When the water temperature is above 30°C/Clogged dryer filter or lint filter/Drainage condition/Amount and type of clothes, etc.)

drying

*4 This is the approximate time when the room temperature is 20°C and the water temperature is 20°C. It may be significantly longer depending on the conditions. (When the room temperature is below 5°C or above 30°C/When the water temperature is above 30°C/When the dryer filter or lint filter is clogged/Amount and type of clothes, etc.)

detail

Contents of automatic driving

course		Capacity limit	wash	rinse	dehydration*	drying	Estimated travel time ^{※2}
standard	laundry	10kg	11-15 minutes	2 times	5 minutes	40-240 minutes	34-45 minutes
	Washing ~ drying	6kg			Automatic*1		100~300 minutes*3
Time saving	Laundry (0 minute wash)	4kg(1.5kg)	5-7 minutes	Water injection 1 time	3-5 minutes	50 minutes	10-20 minutes
	Washing ~ drying	1.5kg	5 minutes		Automatic*1		90 minutes ^{※3}
Quick pre-wash	laundry	2kg	4 minutes		1 minute		5 minutes
Extreme washing	laundry	10kg	70-71 minutes	2 times	5 minutes	40-240 minutes	95~105 minutes
	Washing ~ drying	6kg	70 minutes		Automatic*1		155~350 minutes*3
home cleaning	laundry	2kg	17 minutes	3 times	soft 1 minute		42 minutes
blanket	laundry	(The blanket is) 4.7kg (The	11-12 minutes	3 times	7 minutes	60~210 minutes	58~59 minutes
	Washing ~ drying	blanket is) 4kg			Automatic*1		140-290 minutes
room drying	Washing ~ drying	6kg	11-15 minutes	2 times	White motion*1	20 minutes	60-70 minutes
Tank cleaning	Washing	—	8 hours	Water injection 2 times	3 minutes	60 minutes	8 and a half hours
	Washing ~ Drying						9 and a half hours

Contents that can be selected with each key

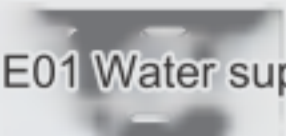
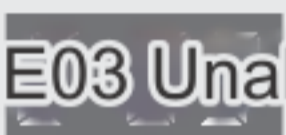
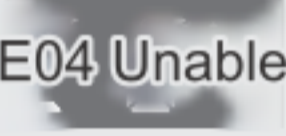

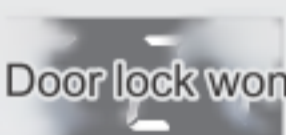
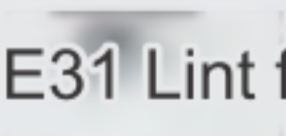

course	wash	rinse	dehydration	dry
Standard home style	minutes, 30 minutes, "--" (automatic), 5 minutes, 8 minutes, 10 minutes, 12 minutes, 15 minutes, 20 minutes, 25 No washing	6 minutes, 7 minutes, "--" (automatic), 1 fill, 1 fill, 2 fills, 2 fills, 3 fills, 3 fills, 4 fills, no rinse	laundry "One" (automatic), 1 minute, 2 minutes... (1 minute intervals)...9 minutes, no spin-dry Wash~Dry "--" (Auto) <Cannot be changed>	Washing ~ drying "--" (automatic) 10 minutes 20 minutes 30 minutes, 40 minutes, 60 minutes, 90 minutes, 2H (2 hours) / 3H (3 hours)
home cleaning	17 minutes, no washing	3 times, no rinsing	Soft 1 minute, no dehydration	
blanket	"--" (Automatic) 6 minutes, 7 minutes, 8 minutes, 10 minutes, 12 minutes, 15 minutes, 20 minutes, 25 minutes, 30 minutes, no washing	[Same as standard]		
room drying		[Same as standard]	[Standard (same as washing and drying)]	20 minutes and 30 minutes
Tank cleaning	8H (8 hours) / 2H (2 hours) / No cleaning	Washed Water injection twice (cannot be changed) No cleaning Water injection once (cannot be changed)	washing 3 minutes <Cannot be changed> Washing ~ drying "--" (Auto) <Cannot be changed>	Washing ~ drying 60 minutes <Cannot be changed>

course	Dry amount	Autonomous driving*4	Selectable time	course	Dry amount	Autonomous driving*4	Selectable time
Standard home style	2kg or less: approx. 60-120 minutes		"--" (automatic) 10 minutes 20 minutes, 30 minutes, 40 minutes, 60 minutes, 90 minutes, 2H (2 hours) / 3H (3 hours)	Home cleaning	Under 0.5kg		10 minutes, 20 minutes, 30 minutes, 40 minutes, 60 minutes, 90 minutes, 2H (2 hours) 3H (3 hours)
	2~4kg	Approximately 120 to 180 minutes					blanket
	4~6kg	Approximately 180 to 240 minutes	(3 hours)				


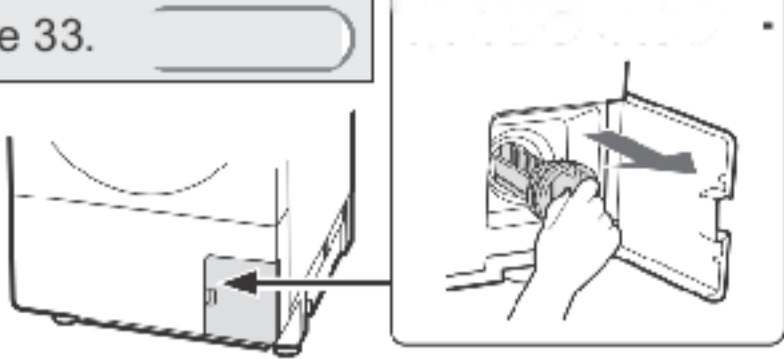
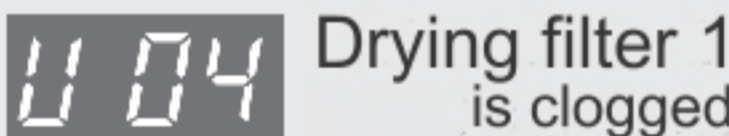
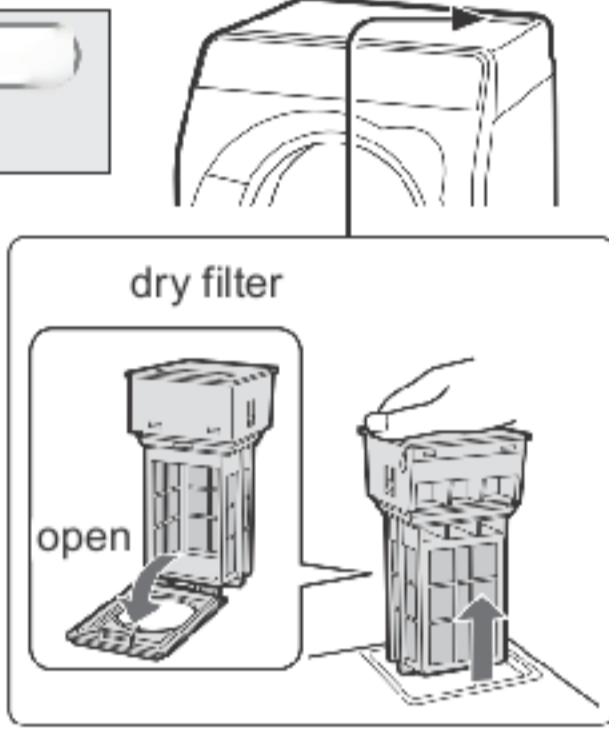
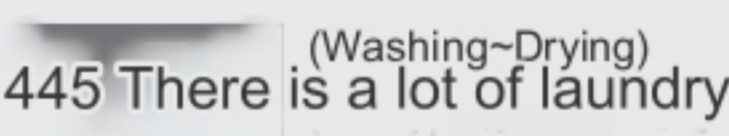


when needed

Error display/notification display

The operation status key (Wash, Rinse, etc.) will flash rapidly and the following display will appear.

Error display/content	Please check	restart
 <p>E01 Water supply not possible</p>	<ul style="list-style-type: none"> Did you open the tap? Is there a water outage? Is the filter at the water supply hose connection port clogged? <p style="text-align: right;">(35 pages)</p>	Touch "START"
<p>E02 Door is open</p>	<ul style="list-style-type: none"> Are you sure you close the door? The message may appear even if you pull the door while the door is locked. (If the message does not disappear, push the door lightly.) 	close the door securely Touch "START"
 <p>E03 Unable to drain</p>	<ul style="list-style-type: none"> Clean the lint filter. Page 33 Is the drain clogged? (Page 35) Is the drain hose crushed? Is the drainage position more than 10 cm from the installation surface, or is the end of the hose blocked? Page 41 Is the extension drain hose too long? Page 41 	Touch "START"
 <p>E04 Unable to dehydrate</p>	<ul style="list-style-type: none"> Is your laundry prone to becoming unevenly distributed? - If it is tangled, untangle it. <ul style="list-style-type: none"> Clothes that become heavy when they absorb water (jeans, trays, etc.) Have you put in a single item of clothing (such as a towel) or washed only one item of clothing that becomes heavy when it absorbs water? Add 1 to 3 wet bath towels, etc., and try spin-drying again. Is the main body tilted or wobbly? Page 43 Adjust the spin start to "Smooth". Page 32 	Touch "START"
 <p>E17 Motor does not turn</p>	<p>Have you put in too many heavy clothes or clothes that will become heavy when they absorb water?</p> <ul style="list-style-type: none"> Has the food dried out without being sufficiently dehydrated? <p>If the error still appears even after removing the cause: Turn off the power and restart after a while. The same message appears. If this occurs, there is a risk of malfunction, so turn off the water tap, unplug the power cord, Please have it inspected and repaired immediately.</p>	Touch "START"
 <p>Door lock won't lock or unlock</p>	<ul style="list-style-type: none"> Is the door half-open? Is there laundry or something stuck in the door lock? (Sometimes this can be improved by gently pushing the door in.) <p>When you pause the car and try to open the door, if you pull the door handle before you hear the door unlocking sound (click), the door may not be unlocked and an error message may appear.</p>	close the door securely "Start" touch
 <p>E31 Lint filter is detached</p>	<ul style="list-style-type: none"> Be sure to install the lint filter securely. Page 33 	Touch "START"
<p>Other than listed in the table</p> <p>E...Display and</p>  <p>When the display shows</p>	<ul style="list-style-type: none"> Turn off the power, wait about one minute, then turn it back on. If the same message appears, there may be a malfunction, so turn off the water tap, unplug the power cord, Have the unit inspected and repaired immediately. "007", "C09", "C11", "C12", "C18" and "C25" are indications related to drying. If you turn the power back on, you can use it for the washing operation (washing to spinning). When the power is not accepted, see page 48. <p>When opening the door while "C..." is displayed: 1. Unplug the power cord, wait a while, then plug it back in. 2. Turn the power on and touch the "Start" key. (It may take a while for the door to unlock.)</p>	

•The following is not a malfunction or error.

Notice display/content	explanation
	<ul style="list-style-type: none"> • Clean the lint filter. See "Lint Filter" on page 33. • Displays for 24 hours from the end of operation. (Display disappears when power is turned off) 
	<ul style="list-style-type: none"> • Wash the drying filter with water. Page 34 • Please clean the drain. Page 35 • Displayed during operation and will remain displayed for 24 hours after operation ends. (Display disappears when power is turned off.) • If you notice this message appearing during operation, press the "Start" key to pause the operation, and after cleaning, be sure to install the drying filter before restarting. "U04" will continue to be displayed after restarting, but this is not an abnormality. Turn off the power after operation is complete. • If you continue to operate the machine without cleaning it, it may cause the clothes to remain dry or the operating time to be extended. • If "U04" is still displayed frequently even after cleaning the drying filter, run the tub cleaning course (8 hours of cleaning). Pages 36 and 37 If the message still appears, please use the washing machine cleaning service (back cover). For a fee, we will disassemble your washing machine and clean the drying path. • If clothes are spread out and stuck inside the drum, the flow of warm air may be blocked, causing this message to appear. 
	<ul style="list-style-type: none"> • Turn off the power, reduce the amount of laundry to an appropriate amount, and then run the machine again. If you continue to run the machine in this state (even during drying or wrinkle prevention operation, "U05" will be displayed), the clothes will not be able to be loosened easily, and they will dry unevenly or remain partially dry, resulting in insufficient drying. (If the laundry is wet, it may be measured and displayed as heavy.)
	<ul style="list-style-type: none"> • When the child lock is set, the doors are always locked and cannot be opened. See page 10 for how to release the lock.
	<ul style="list-style-type: none"> • Before using the product, perform the procedure described in "Initializing the product" on page 32. A demo display is a display used in stores to explain the features and functions of a product.

specification

•The table is based on the voluntary standards of the Japan Electrical Manufacturers' Association.





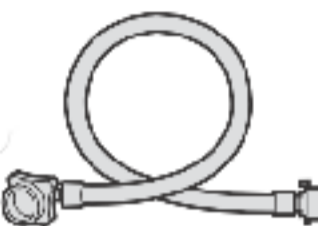

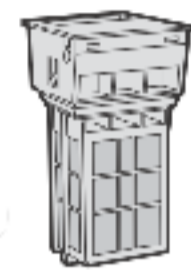
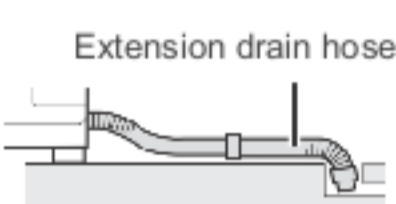

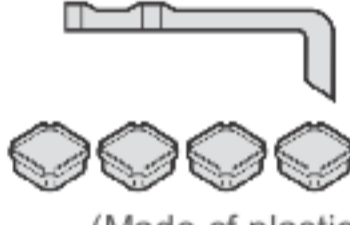


•When the power plug is inserted and the power switch is turned off, the standby power consumption is 0 (zero). •This unit is Hertz (Hz) free. If the power frequency changes due to moving, No parts replacement or adjustment is required even if the size changes.

seed	Type: Drum-type electric washer/dryer	Power consumption during drying: 1140W
electric	Power source: 100V 50/60Hz	driving sound 26dB when washing, 39dB when spinning, 41dB when drying
Standard washing and spinning capacity	10kg (dry cloth weight)	Washing method Drum type
Standard dry capacity	6kg (dry cloth weight)	Drying method Water-cooled dehumidifying rotating drum type
Standard water usage	((Washing) 70L (Washing~Drying) 96L)	tap water pressure 0.03~0.8MPa
Rated motor power consumption (Laundry)	150W	External dimensions ※ Width 645 x Depth 732 x Height 1100 (mm)
Electric heating device rated power consumption (Drying)	1050W	Product weight: Approx. 71kg

*Width includes drain hose, height includes water supply hose.

The following parts, distribution codes, and suggested retail prices are current as of March 2024 and are subject to change. For details, please check with the store where you purchased the product or visit the Sharp website below. Washing machine and optional items sold separately page <https://jp.sharp/support/washer/option.html>

Sold separately

<p>Extension water supply hose</p> <p>Use by adding water to the included water supply hose.</p> 		<p>Leg spacer set (2 of each)</p> <p>Distribution code 210 413 0127</p> <p>Suggested retail price: 660 yen (tax included)</p>  3mm  6mm  adhesive tape																			
<table border="1"> <thead> <tr> <th></th> <th>distribution code</th> <th>Suggested retail price</th> </tr> </thead> <tbody> <tr> <td>For 1m</td> <td>210 360 0110</td> <td>1,430 yen (tax included)</td> </tr> <tr> <td>For 2m</td> <td>210 360 0111</td> <td>1,925 yen (tax included)</td> </tr> <tr> <td>For 3m</td> <td>210 360 0112</td> <td>2,200 yen (tax included)</td> </tr> <tr> <td>For 5m</td> <td>210 360 0113</td> <td>3,025 yen (tax included)</td> </tr> </tbody> </table>		distribution code	Suggested retail price	For 1m	210 360 0110	1,430 yen (tax included)	For 2m	210 360 0111	1,925 yen (tax included)	For 3m	210 360 0112	2,200 yen (tax included)	For 5m	210 360 0113	3,025 yen (tax included)						
	distribution code	Suggested retail price																			
For 1m	210 360 0110	1,430 yen (tax included)																			
For 2m	210 360 0111	1,925 yen (tax included)																			
For 3m	210 360 0112	2,200 yen (tax included)																			
For 5m	210 360 0113	3,025 yen (tax included)																			
<p>water supply hose</p> <p>The faucet connector is not included. Please purchase a commercially available washing machine nipple (with auto stopper).</p> 		<p>Laundry cap (for drum type washer/dryer)</p> <p>ES-CPD1</p> <p>Suggested retail price: 1,320 yen (tax included)</p> 																			
<table border="1"> <thead> <tr> <th></th> <th>distribution code</th> <th>Suggested retail price</th> </tr> </thead> <tbody> <tr> <td>For 0.5m</td> <td>210 360 0291</td> <td>1,430 yen (tax included)</td> </tr> <tr> <td>For 1m</td> <td>210 360 0187</td> <td>1,980 yen (tax included)</td> </tr> </tbody> </table>		distribution code	Suggested retail price	For 0.5m	210 360 0291	1,430 yen (tax included)	For 1m	210 360 0187	1,980 yen (tax included)	<p>dry filter</p> <table border="1"> <thead> <tr> <th></th> <th>distribution code</th> <th>Suggested retail price</th> </tr> </thead> <tbody> <tr> <td>White 210</td> <td>337 0538</td> <td>3,520 yen (tax included)</td> </tr> <tr> <td>Brown 210</td> <td>337 0539</td> <td>3,520 yen (tax included)</td> </tr> </tbody> </table> 				distribution code	Suggested retail price	White 210	337 0538	3,520 yen (tax included)	Brown 210	337 0539	3,520 yen (tax included)
	distribution code	Suggested retail price																			
For 0.5m	210 360 0291	1,430 yen (tax included)																			
For 1m	210 360 0187	1,980 yen (tax included)																			
	distribution code	Suggested retail price																			
White 210	337 0538	3,520 yen (tax included)																			
Brown 210	337 0539	3,520 yen (tax included)																			
<p>Extension drain hose (length 1.3m)</p> <p>Distribution code: 210 360 0575</p> <p>Suggested retail price: 3,300 yen (tax included)</p> 		<p>Water supply valve filter</p> <p>Distribution code 210 337 0401</p> <p>Suggested retail price: 330 yen (tax included)</p> 																			
<p>Directly below drainage joint set</p> <p>(Installation feet, height 2.7 cm, 4 included) For when the drain is located under the main unit.</p> <p>ES-MH2</p> <p>Suggested retail price: 2,200 yen (tax included)</p>  <p>(Made of plastic)</p>		<p>Washing machine drum cleaner (chlorine-based)</p> <p>For when you are concerned about dirt or odors in the drum.</p> <p>ES-CD Suggested retail price: 1,760 yen (tax included)</p>																			
<p>Installation feet (4 pieces, 2.7 cm high)</p> <p>Distribution code 210 110 0603</p> <p>Suggested retail price 1,760 yen (tax included)</p>  <p>(Made of plastic)</p>		<p>silver ion hose</p> <p>It is installed between the faucet and the washing machine hose. It releases silver ions into the washing water and reduces the amount of laundry. It has an antibacterial* and deodorizing* coating.</p> <p>AS-AG1 Open price</p> 																			

※ test Organization: Kyoto Institute of Microbiology
 * Test method: Test cloth pre-treated with silver ions was evaluated according to the JIS L1902 bacterial liquid absorption method. * Antibacterial method: Washed using AS-AG1 (Drum type ES-W112 (manufactured in 2019) washing capacity 4kg, standard cycle. Vertical type ES-PW11D (manufactured in 2019) washing capacity 2KE, standard cycle) * Test result: Antibacterial activity value of 2.2 or higher. The antibacterial effect lasts until the next wash.



A serviceman will clean your washing machine!

Check the state of dirt and clean it by removing parts, etc. <https://jp.sharp/support/washer/cleaning2/drum.html>



Contact information

Before contacting us, please check again "What to do in these situations?" (pages 47-52) and "Error and Notification Displays" (pages 54 and 55).

From Customer Service Center (page 46) Please contact us. Please

also use the website.

(Some items may not be supported depending on the model.)

Sharp Inquiry Washing Machine

search

<https://jp.sharp/support/washer/>



• Visual guide: Instructions for use are provided through videos and photos

<https://jp.sharp/support/washer/visualguide.html>



? Frequently asked questions Q&A information

• Trouble diagnosis navigation Symptom-specific fault diagnosis, etc.

Sharp Corporation

Company Address: 1 Takumi-cho, Sakai-ku, Sakai-shi, Osaka 590-8522

